



HP 250 G1 Notebook PC
HP 255 G1 Notebook PC

Maintenance and Service Guide

© Copyright 2013 Hewlett-Packard
Development Company, L.P.

AMD and Radeon are trademarks of Advanced Micro Devices, Inc. Bluetooth is a trademark owned by its proprietor and used by Hewlett-Packard Company under license. Intel, Celeron, Core, and Pentium are trademarks of Intel Corporation in the U.S. and other countries. Microsoft and Windows are U.S. registered trademarks of Microsoft Corporation. SD Logo is a trademark of its proprietor.

The information contained herein is subject to change without notice. The only warranties for HP products and services are set forth in the express warranty statements accompanying such products and services. Nothing herein should be construed as constituting an additional warranty. HP shall not be liable for technical or editorial errors or omissions contained herein.

First Edition: May 2013

Document Part Number: 721486-001

Safety warning notice


 **WARNING!** To reduce the possibility of heat-related injuries or of overheating the device, do not place the device directly on your lap or obstruct the device air vents. Use the device only on a hard, flat surface. Do not allow another hard surface, such as an adjoining optional printer, or a soft surface, such as pillows or rugs or clothing, to block airflow. Also, do not allow the AC adapter to contact the skin or a soft surface, such as pillows or rugs or clothing, during operation. The device and the AC adapter comply with the user-accessible surface temperature limits defined by the International Standard for Safety of Information Technology Equipment (IEC 60950).

Table of contents

1 Product description	1
2 External component identification	5
Right side	5
Left side	6
Front	7
Display	8
Top	9
TouchPad	9
Lights	10
Buttons	11
Keys	12
Bottom	13
3 Illustrated parts catalog	15
Computer major components	15
Display assembly subcomponents	20
Mass storage devices	22
Plastics kit	23
Miscellaneous parts	23
Sequential part number listing	24
4 Removal and replacement procedures	29
Preliminary replacement requirements	29
Tools required	29
Service considerations	29
Plastic parts	29
Cables and connectors	29
Drive handling	30
Grounding guidelines	30
Electrostatic discharge damage	30

Packaging and transporting guidelines	31
Component replacement procedures	33
Service tag and PCID label	33
Service tag	33
PCID label	34
Computer feet	35
Battery	36
Display subcomponents (bezel, webcam, panel)	37
WLAN module	45
Memory module	47
Hard drive	49
RTC battery	51
Optical drive	52
Keyboard	54
Top cover	57
Power button board	61
TouchPad button board	63
Speakers	65
USB board	67
Power connector cable	69
Display assembly	71
System board	80
Optical drive cable	84
Fan/heat sink assembly	86
Processor	90
5 Using Setup Utility (BIOS) and System Diagnostics	93
Starting Setup Utility (BIOS)	93
Updating the BIOS	93
Determining the BIOS version	93
Downloading a BIOS update	94
Using System Diagnostics	95
6 Specifications	97
Computer specifications	97
39.6-cm (15.6-in), HD display specifications	98
Hard drive specifications	99
7 Backing up, restoring, and recovering	101
Creating recovery media and backups	102

Creating HP Recovery media	102
Restore and recovery	104
Using Windows Refresh for quick and easy recovery	105
Remove everything and reinstall Windows	105
Recovering using HP Recovery Manager	106
What you need to know	106
Using the HP Recovery partition to recover (select models only)	106
Using HP Recovery media to recover	107
Changing the computer boot order	107
Removing the HP Recovery partition	107
8 Power cord set requirements	109
Requirements for all countries	109
Requirements for specific countries and regions	110
9 Recycling	113
Battery	113
Display	113
Index	119

1 Product description

Category	Description	HP 255 models (AMD)	HP 250 models (Intel)
Product name	HP 255 G1 Notebook PC	√	
	HP 250 G1 Notebook PC		√
Processors	AMD processors		
	A6-5200 2.00-GHz processor (1600-MHz memory speed, quad core, 25 W)	√	
	A4-5000 1.50-GHz processor (1600-MHz memory speed, quad core, 15 W)	√	
	E2-3000 1.65-GHz processor (1600-MHz memory speed, dual core, 15 W)	√	
	E2-2000 1.75-GHz processor (1333-MHz memory speed, dual core, 18 W)	√	
	E2-1800 1.70-GHz processor (1333-MHz memory speed, dual core, 18 W)	√	
	E1-2500 1.40-GHz processor (1333-MHz memory speed, dual core, 15 W)	√	
	E1-1500 1.48-GHz processor (1066-MHz memory speed, dual core, 18 W)	√	
	E1-1200 1.40-GHz processor (1066-MHz memory speed, dual core, 18 W)	√	
	Intel Core i5 processors		
	3230M 2.60-GHz processor (3.0-MB L3 cache, dual core, 35 W)		√
	3210M 2.50-GHz processor (3.0-MB L3 cache, dual core, 35 W)		√
	Intel Core i3 processors		
	3130M 2.60-GHz processor (3.0-MB L3 cache, dual core, 35 W)		√
	3120M 2.50-GHz processor (3.0-MB L3 cache, dual core, 35 W)		√
	3110M 2.40-GHz processor (1600-MHz memory speed, 3.0-MB L3 cache, dual core, 35 W)		√
	2348M 2.30-GHz processor (3.0-MB L3 cache, dual core, 35 W)		√
	2328M 2.20-GHz processor (3.0-MB L3 cache, dual core, 35 W)		√
	Intel Pentium processors		
	2030M 2.50-GHz processor (2.0-MB L3 cache, dual core, 35 W)		√
	2020M 2.40-GHz processor (2.0-MB L3 cache, dual core, 35 W)		√
	B980 2.40-GHz processor (2.0-MB L3 cache, dual core, 35 W)		√
B970 2.30-GHz processor (1333-MHz memory speed, 2.0-MB L3 cache, dual core, 35 W)		√	

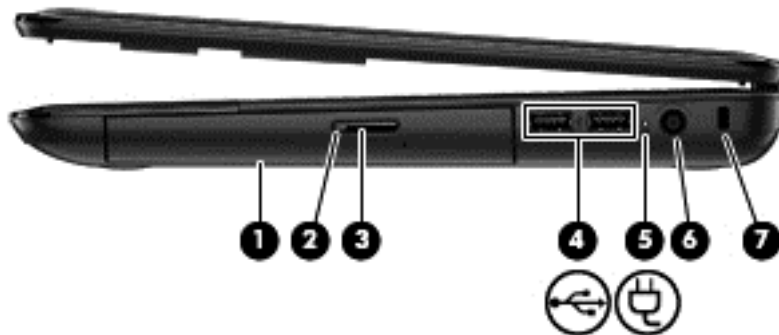
Category	Description	HP 255 models (AMD)	HP 250 models (Intel)
	B960 2.20-GHz processor (2.0-MB L3 cache, dual core, 35 W)		√
	Intel Celeron processor		
	1000M 1.8-GHz processor (2.0-MB L3 cache, dual core, 35 W)		√
	B830 1.8-GHz processor (2.0-MB L3 cache, dual core, 35 W)		√
Chipset	AMD A68M fusion controller hub (FCH) (E2-2000/E1-1500/E2-1800/E1-1200)	√	
	AMD SOC FCH (E1-2500/E2-3000/A6-5200/A4-5000)	√	
	Intel HM75 Express Chipset (Core i5/i3 processors only)		√
	Intel HM70 Express Chipset (Pentium/Celeron processors only)		√
Graphics	UMA graphics:		
	AMD Radeon HD 8400 Graphics (on models with A6-5200 processor)	√	
	AMD Radeon HD 8330 Graphics (on models with A4-5000 processor)	√	
	AMD Radeon HD 7340 Graphics (on models with AMD E2-2000 and E2-1800 processors; supports DirectX 11)	√	
	AMD Radeon HD 7310 Graphics (on models with AMD E1-1500 and E1-1200 processors; supports DirectX 11)	√	
	AMD Radeon HD 8280G Graphics (on models with AMD E2-3000 processor; supports DirectX 11)	√	
	AMD Radeon HD 8240G Graphics (on models with AMD E1-2500 processor; supports DirectX 11)	√	
	Intel HD Graphics 4000 (on models with Intel Core i7, i5, i3 processors)		√
	Intel HD Graphics 3000 (on models with Intel Core i7, i5, i3 processors)		√
	Intel HD Graphics (on models with Intel Pentium or Celeron processor; supports DirectX 11; Intel HR UMA or Calpella UMA use DX10)		√
Panel	39.6-cm (15.6-inch), HD, LED, SVA, 5.5 mm, anti-glare (1366×768) display	√	√
	LVDS support		
Memory	2 customer-accessible/upgradable memory module slots	√	√
	Supports dual-channel memory	√	√
	Supports up to 8192 GB of system RAM	√	√
	DDR3/1600-MHz (support E2-3000)		√
	DDR3/1333-MHz (DDR3/1600-MHz downgraded to DDR3/1333-MHz)	√	√
	DDR3/1066-MHz (DDR3/1600-MHz downgraded to DDR3/1066-MHz to support E1-1200 and E1-1500)	√	



Category	Description	HP 255 models (AMD)	HP 250 models (Intel)
	Supports the following configurations: <ul style="list-style-type: none"> 6144-MB total system memory (4096×1 + 2048×1; 32-bit operating system not supported) 4096-MB total system memory (4096×1 or 2048×2) 2048-MB total system memory (2048×1) 	√	√
Hard drives	Supports 6.35-cm (2.5-in) hard drives in 9.5-mm (.37-in) and 7.0-mm (.28-in) thicknesses	√	√
	Customer-accessible	√	√
	Serial ATA	√	√
	Supports the following hard drives: <ul style="list-style-type: none"> 750-GB, 5400-rpm, 9.5-mm 640-GB, 5400-rpm, 9.5-mm 500-GB, 5400-rpm, 9.5-mm or 7.0-mm 320-GB, 5400-rpm, 9.5-mm or 7.0-mm 	√	√
Optical drive	Fixed	√	√
	Serial ATA	√	√
	12.7-mm tray load	√	√
	DVD±RW Double-Layer SuperMulti Drive	√	√
	Supports zero power optical drive	√	√
Audio/video	Single digital microphone	√	√
	HD audio	√	√
	Altec Lansing speakers	√	√
	Supports Microsoft Premium requirements	√	√
	HP TrueVision HD webcam (fixed, no tilt with activity LED, 1280×720 by 30 frames per second)	√	√
Ethernet	Integrated 10/100/1000 network interface card (NIC)	√	√
Wireless	Integrated wireless local area network (WLAN) options by way of wireless module	√	√
	WLAN antennas built into display assembly	√	√
	Support for the following WLAN formats: <ul style="list-style-type: none"> Atheros AR9485 802.11b/g/n 1x1 WiFi Adapter Ralink RT3290LE 802.11bgn 1x1 Wi-Fi and Bluetooth 4.0 Combo Adapter Realtek RTL8188EE 802.11bgn Wi-Fi Adapter 	√	√
External media card	HP Multi-Format Digital Media Reader	√	√

Category	Description	HP 255 models (AMD)	HP 250 models (Intel)
Ports	3-pin AC power	✓	✓
	Audio-in (microphone)	✓	✓
	Audio-out (headphone)	✓	✓
	HDMI version 1.4 supporting 1920 ×1200 @ 60Hz	✓	✓
	RJ-45 (Ethernet, includes link and activity lights)	✓	✓
	USB 2.0 (3 ports)	✓	✓
	VGA (Dsub 15 pin) supporting 2048×1536 external resolution @ 75 Hz, hot plug and unplug and auto-detection for correct output to wide-aspect vs. standard aspect video		✓
	VGA (Dsub 15 pin) supporting 2048×1536 external resolution @ 60 Hz, hot plug and unplug and auto-detection for correct output to wide-aspect vs. standard aspect video	✓	
Keyboard/pointing devices	Full-size textured pocket keyboard	✓	✓
	TouchPad with multi-touch gestures, 2-finger scrolling, and pinch-zoom enabled	✓	✓
	Taps enabled by default	✓	✓
Power requirements	AC adapter		
	65-W RC V HP Smart AC adapter with localized cable plug support (3-wire plug with ground pin, supports 3-pin DC connector)	✓	✓
	Support for the following batteries:	✓	✓
	<ul style="list-style-type: none"> 6-cell, 47-Whr, 2.20-Ah Li-ion battery 		
Security	Security cable slot	✓	✓
Operating system	Preinstalled:	✓	✓
	<ul style="list-style-type: none"> Windows 8 Professional (64-bit and 32-bit) Windows 8 Standard (64-bit and 32-bit) Windows 8 Professional downgrade to Windows 7 Professional Ubuntu Linux FreeDOS 		
Serviceability	End-user replaceable parts:	✓	✓
	<ul style="list-style-type: none"> AC adapter Battery Hard drive Memory modules (2) Optical drive WLAN module 		

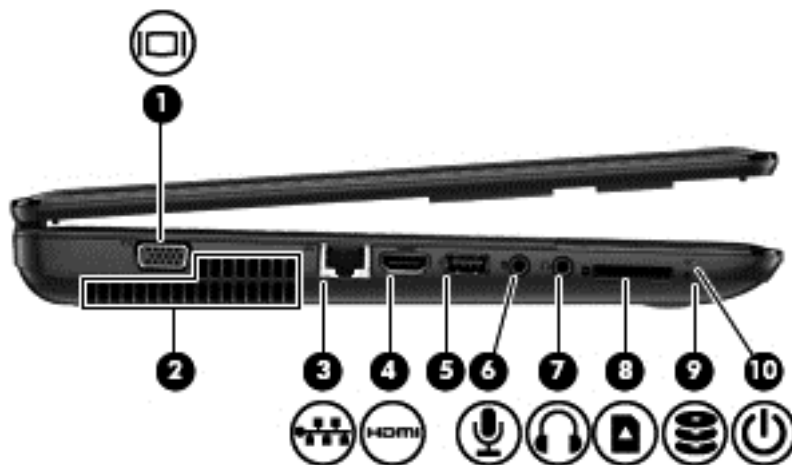
2 External component identification







Right side





Component	Description
(1) Optical drive	Reads an optical disc. NOTE: On select models, the optical drive also writes to an optical disc.
(2) Optical drive light	<ul style="list-style-type: none">Green: The optical drive is being accessed.Off: The optical drive is idle.
(3) Optical drive eject button	Releases the disc tray.
(4)  USB 2.0 ports (2)	Connect optional USB devices.
(5)  AC adapter light	<ul style="list-style-type: none">White: The AC adapter is connected and the battery is charged.Amber: The AC adapter is connected and the battery is charging.Blinking amber: The battery is low or there is a battery error.Off: The computer is using DC power.
(6) Power connector	Connects an AC adapter.
(7) Security cable slot	Attaches an optional security cable to the computer. NOTE: The security cable is designed to act as a deterrent, but it may not prevent the computer from being mishandled or stolen.

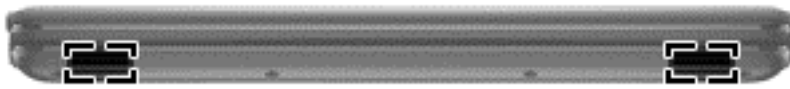
Left side



Component	Description
(1) 	External monitor port Connects an external VGA monitor or projector.
(2)	Vent Enables airflow to cool internal components. NOTE: The computer fan starts up automatically to cool internal components and prevent overheating. It is normal for the internal fan to cycle on and off during routine operation.
(3) 	RJ-45 (network) jack Connects a network cable.
(4) 	HDMI port Connects an optional video or audio device, such as a high-definition television, or any compatible digital or audio device.
(5)	USB 2.0 port Connects an optional USB device.
(6) 	Audio-in (microphone) jack Connects an optional computer headset microphone, stereo array microphone, or monaural microphone.
(7) 	Audio-out (headphone) jack Connects optional powered stereo speakers, headphones, earbuds, a headset, or a television audio cable. WARNING! To reduce the risk of personal injury, adjust the volume before using headphones, earbuds, or a headset. For additional safety information, see the <i>Regulatory, Safety and Environmental Notices</i> . NOTE: When a device is connected to a headphone jack, the computer speakers are disabled.
(8) 	Digital Media Slot Reads data from and writes data to digital memory cards such as Secure Digital (SD).

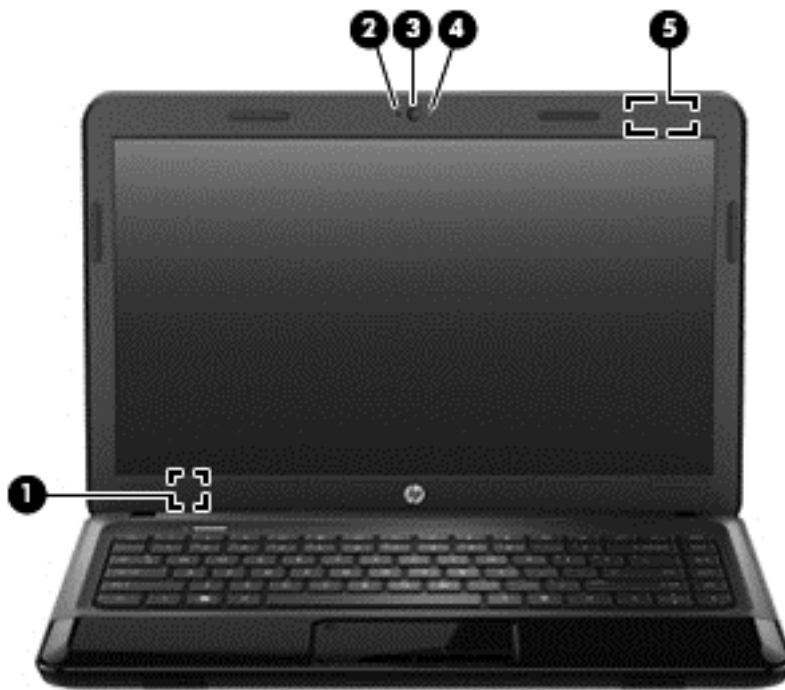
Component	Description
(9)  Hard drive light	<ul style="list-style-type: none"> • White: A storage device is being accessed. • Off: No storage device is being accessed.
(10)  Power light	<ul style="list-style-type: none"> • White: The computer is on. • Blinking white: The computer is in the Sleep state, which is an energy-saving mode. The computer shuts off power to the display and other unneeded components. • Off: The computer is off or in Hibernation. Hibernation is an energy-saving mode that uses the least amount of power.

Front



Component	Description
Speakers (2)	Produce sound.

Display



Component	Description
(1) Internal display switch	Turns off the display and initiates Sleep if the display is closed while the power is on. NOTE: The internal display switch is not visible from the outside of the computer.
(2) Internal microphone	Records sound.
(3) Webcam	Records video, captures still photographs, and allows video conferences and online chat by means of streaming video. To use the webcam in Windows 8, from the Start screen, type <code>cyberlink</code> , and then select CyberLink YouCam from the list of apps.
(4) Webcam light	On: The webcam is in use.
(5) WLAN antenna*	Send and receive wireless signals to communicate with wireless local area networks (WLANs).

*The antenna is not visible from the outside of the computer. For optimal transmission, keep the area immediately around the antenna free from obstructions. For wireless regulatory notices, see the section of the *Regulatory, Safety, and Environmental Notices* that applies to your country or region. These notices are located in Help and Support. To access Help and Support in Windows 8, from the Start screen, type `help`, and then select **Help and Support** from the list of apps.

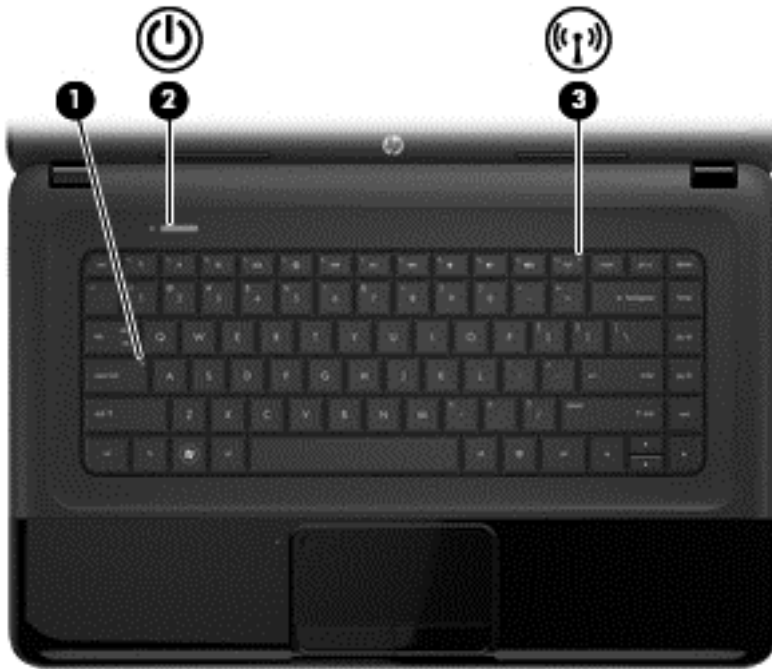
Top



TouchPad



Component	Description
(1) TouchPad on/off button	Turns the TouchPad on or off.
(2) TouchPad light	<ul style="list-style-type: none">• Amber: The TouchPad is enabled.• Off: The TouchPad is disabled.
(3) TouchPad zone	Moves the on-screen pointer and selects or activates items on the screen.
(4) Left TouchPad button	Functions like the left button on an external mouse.
(5) Right TouchPad button	Functions like the right button on an external mouse.


Lights



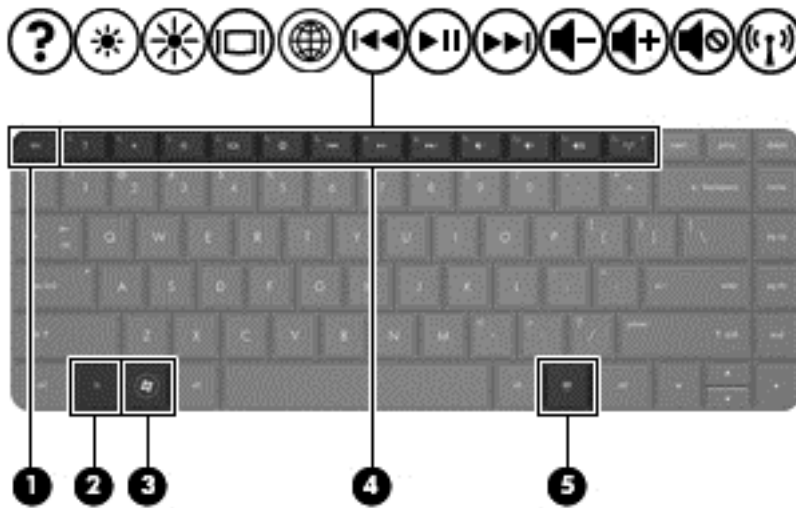
Component	Description
(1) Caps lock light	<p>White: Caps lock is on, which switches the keys to all capital letters.</p> <p>Off: Caps lock is off.</p>
(2)  Power light	<ul style="list-style-type: none">• White: The computer is on.• Blinking white: The computer is in the Sleep state, which is an energy-saving mode. The computer shuts off power to the display and other unneeded components.• Off: The computer is off or in Hibernation. Hibernation is an energy-saving mode that uses the least amount of power.
(3)  Wireless light	<ul style="list-style-type: none">• White: An integrated wireless device, such as a wireless local area network (WLAN) device and/or a Bluetooth® device, is on.• Amber: All wireless devices are off.



Buttons



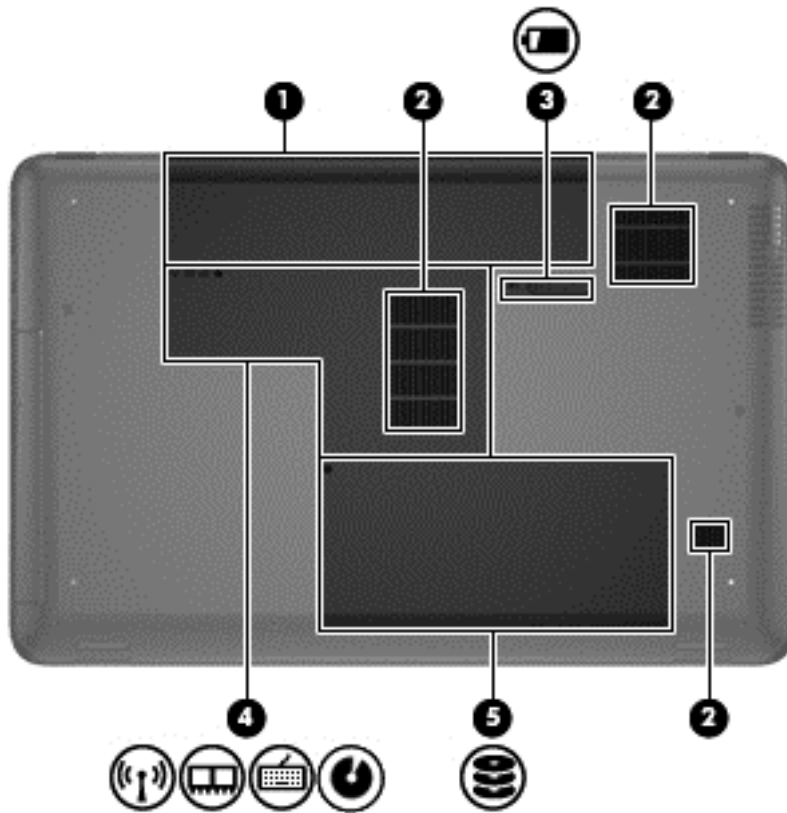
Component	Description
 Power button	<ul style="list-style-type: none">• When the computer is off, press the button to turn on the computer.• When the computer is in the Sleep state, press the button briefly to exit Sleep.• When the computer is in Hibernation, press the button down briefly to exit Hibernation. <p>If the computer has stopped responding and Microsoft® Windows® shutdown procedures are ineffective, press and hold the power button down for at least 5 seconds to turn off the computer.</p> <p>CAUTION: Pressing and holding down the power button will result in the loss of unsaved information.</p> <p>In Windows 8:</p> <ol style="list-style-type: none">1. From the Start screen, type <code>power options</code>.2. Click Settings, and then select Power Options from the options displayed.


Keys


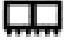
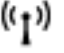




Component	Description
(1) <code>esc</code> key	Displays system information when pressed in combination with the <code>fn</code> key.
(2) <code>fn</code> key	Displays system information when pressed in combination with the <code>esc</code> key.
(3)  Windows 8 logo key	Windows 8: Returns you to the Start screen from an open app or the Desktop. NOTE: Pressing the Windows logo key again will return you to the previous screen.
(4) Action keys	Execute frequently used system functions.
(5)  Windows 8 applications key	Windows 8: Displays options for a selected object.

Bottom

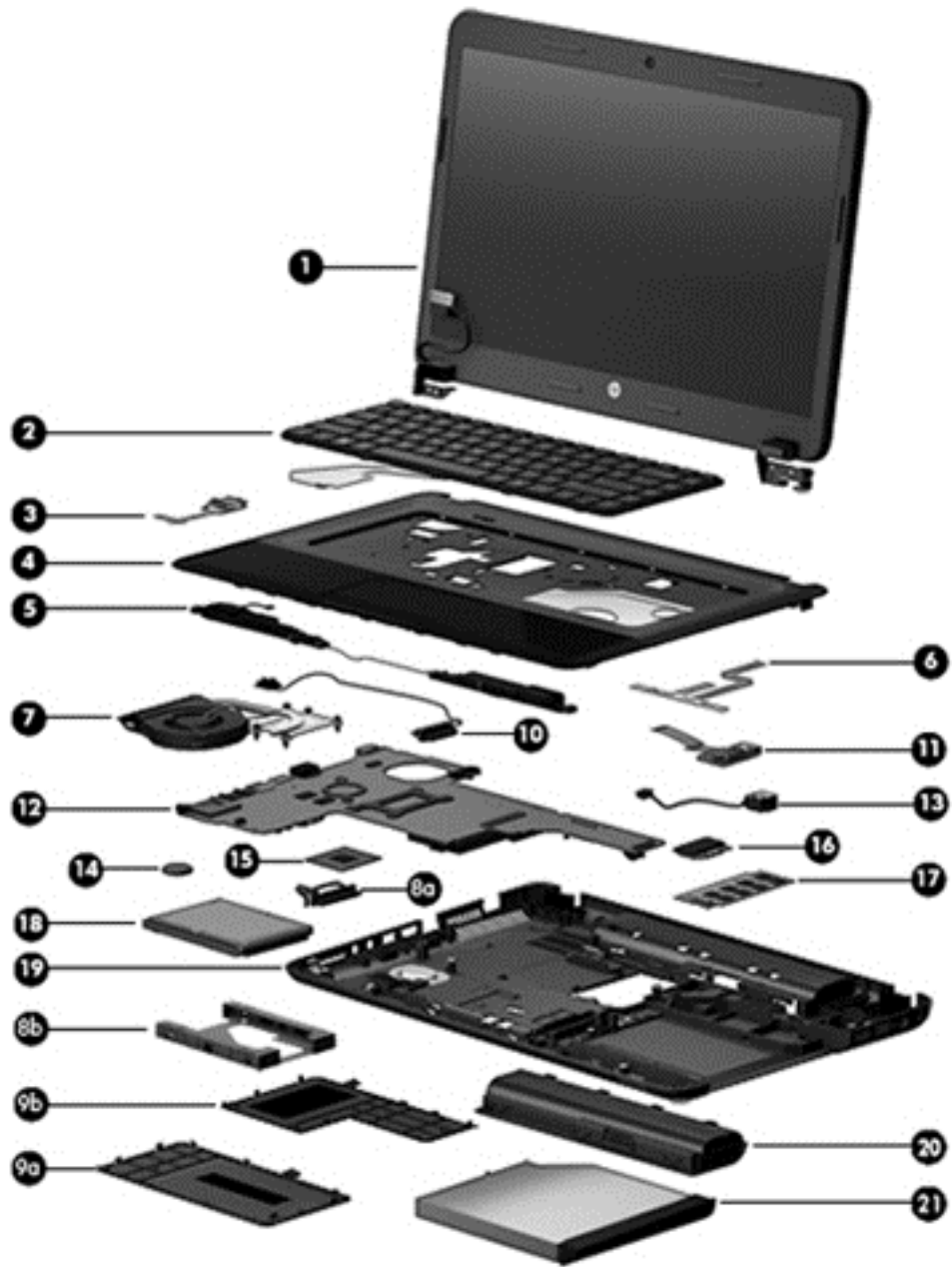


Component	Description	Description
(1)	Battery bay	Holds the battery.
(2)	Vents (3)	Enable airflow to cool internal components. NOTE: The computer fan starts up automatically to cool internal components and prevent overheating. It is normal for the internal fan to cycle on and off during routine operation.
(3)	 Battery release latch	Releases the battery from the battery bay.

Component	Description
<p>(4)</p>    <p>Wireless and memory module compartment</p>	<p>Contains the wireless and memory modules.</p> <p>CAUTION: To prevent an unresponsive system, replace the wireless module only with a wireless module authorized for use in the computer by the governmental agency that regulates wireless devices in your country or region. If you replace the module and then receive a warning message, remove the module to restore computer functionality, and then contact support through Help and Support.</p>
<p>(5)</p>   <p>Hard drive bay</p>	<p>Contains the hard drive.</p>

3 Illustrated parts catalog

Computer major components



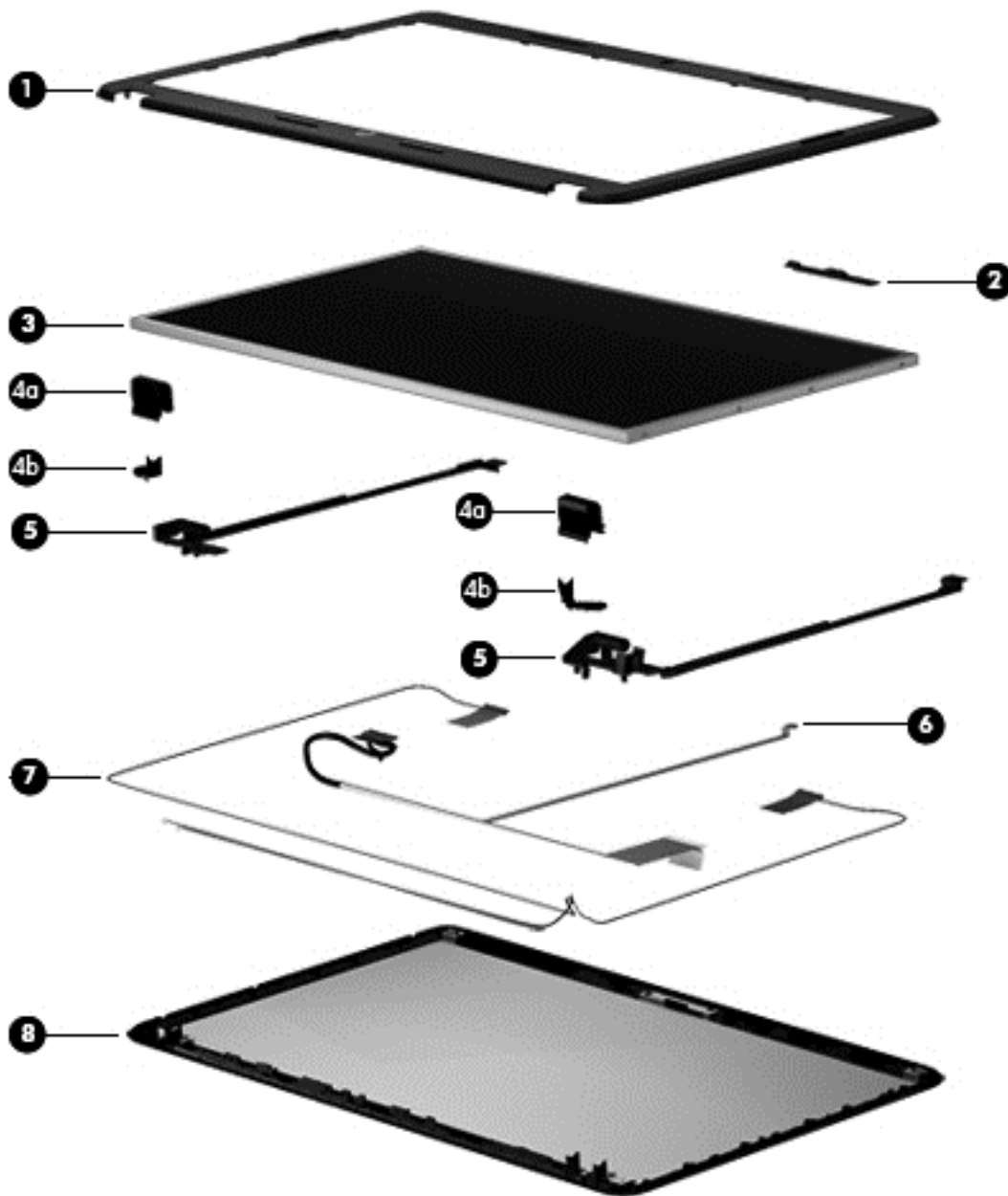
Item	Component	Spare part number
(1)	Display assembly (not spared)	
	NOTE: For display assembly spare part information, see Display assembly subcomponents on page 20 .	
(2)	Keyboard (includes keyboard cable):	698694-xx1
	For a detailed list of available keyboards, see Sequential part number listing on page 24 .	
(3)	Power button board (includes cable)	689686-001
(4)	Top cover (includes TouchPad):	720511-001
(5)	Speakers (includes left and right speakers and cable)	689693-001
(6)	TouchPad button board (includes bracket and cables)	689688-001
(7)	Fan/heat sink assembly (includes replacement thermal materials):	
	For use only with computer models equipped with an AMD processor	688281-001
	For use only with computer models equipped with an Intel processor	685086-001
	Hard Drive Hardware Kit , includes:	685089-001
(8a)	Hard drive cable	
(8b)	Hard drive bracket	
	Plastics Kit , includes:	689689-001
(9a)	Hard drive compartment cover (includes one captive screw, secured by a C-clip)	
(9b)	Memory module/wireless module compartment cover (includes one captive screw, secured by a C-clip)	
	NOTE: See Plastics kit on page 23 for more plastics kit spare part information.	
(10)	Optical drive cable (includes cable bracket)	685084-001
(11)	USB board (includes cable)	689687-001
(12)	System board (includes replacement thermal materials):	
	For use only with models with an AMD A6-5200 processor	
	<ul style="list-style-type: none"> Models without Windows 8 	730670-001
	<ul style="list-style-type: none"> Models with Windows 8 Standard 	730670-501
	<ul style="list-style-type: none"> Models with Windows 8 Professional 	730670-601
	For use only with models with an AMD A4-5000 processor	
	<ul style="list-style-type: none"> Models without Windows 8 	730671-001
	<ul style="list-style-type: none"> Models with Windows 8 Standard 	730671-501
	<ul style="list-style-type: none"> Models with Windows 8 Professional 	730671-601
	For use only with models with an AMD E2-3450 processor	
	<ul style="list-style-type: none"> Models without Windows 8 	720632-001
	<ul style="list-style-type: none"> Models with Windows 8 Standard 	720632-501
	<ul style="list-style-type: none"> Models with Windows 8 Professional 	720632-601
	For use only with models with an AMD E2-2000 processor	

Item	Component	Spare part number
	<ul style="list-style-type: none"> Models without Windows 8 	720634-001
	<ul style="list-style-type: none"> Models with Windows 8 Standard 	720634-501
	<ul style="list-style-type: none"> Models with Windows 8 Professional 	720634-601
	For use only with models with an AMD E2-1800 processor	
	<ul style="list-style-type: none"> Models without Windows 8 	688853-001
	<ul style="list-style-type: none"> Models with Windows 8 Standard 	688853-501
	<ul style="list-style-type: none"> Models with Windows 8 Professional 	688853-601
	For use only with models with an AMD E1-3310 processor	
	<ul style="list-style-type: none"> Models without Windows 8 	720633-001
	<ul style="list-style-type: none"> Models with Windows 8 Standard 	720633-501
	<ul style="list-style-type: none"> Models with Windows 8 Professional 	720633-601
	For use only with models with an AMD E1-1500 processor	
	<ul style="list-style-type: none"> Models without Windows 8 	720635-001
	<ul style="list-style-type: none"> Models with Windows 8 Standard 	720635-501
	<ul style="list-style-type: none"> Models with Windows 8 Professional 	720635-601
	For use only with models with an AMD E1-1200 processor	
	<ul style="list-style-type: none"> Models without Windows 8 	688852-001
	<ul style="list-style-type: none"> Models with Windows 8 Standard 	688852-501
	<ul style="list-style-type: none"> Models with Windows 8 Professional 	688852-601
	For use only with models with an Intel HM75 chipset that include an Intel Core i5 or i3 processor	
	<ul style="list-style-type: none"> Models without Windows 8 	685761-001
	<ul style="list-style-type: none"> Models with Windows 8 Standard 	685761-501
	<ul style="list-style-type: none"> Models with Windows 8 Professional 	685761-601
	For use only with models with an Intel HM70 chipset that include an Intel Pentium or Celeron processor	
	<ul style="list-style-type: none"> Models without Windows 8 	685768-001
	<ul style="list-style-type: none"> Models with Windows 8 Standard 	685768-501
	<ul style="list-style-type: none"> Models with Windows 8 Professional 	685768-601
(13)	Power connector cable	689678-001
(14)	RTC battery	449137-001
(15)	Processor (includes replacement thermal materials):	
	NOTE: Only valid on models with Intel processors. On AMD models, the processor comes with the system board and cannot be removed.	
	Intel Core i5 processors (3.0-MB L3 cache, dual core, 35 W):	
	<ul style="list-style-type: none"> 3230M 2.60-GHz processor 	711903-001
	<ul style="list-style-type: none"> 3210M 2.50-GHz processor 	680645-001

Item	Component	Spare part number
	Intel Core i3 processors (3.0-MB L3 cache, dual core, 35 W):	
	• 3130M 2.60-GHz processor	713163-001
	• 3120M 2.50-GHz processor	700627-001
	• 3110M 2.40-GHz processor	682417-001
	• 2348M 2.30-GHz processor	713165-001
	• 2328M 2.20-GHz processor	693542-001
	Intel Pentium processors (2.0-MB L3 cache, dual core, 35 W):	
	• 2030M 2.50-GHz processor	713164-001
	• 2020M 2.40-GHz processor	700628-001
	• B980 2.40-GHz processor	692428-001
	• B970 2.30-GHz processor	676785-001
	• B960 2.20-GHz processor	664662-001
	Intel Celeron processors (2.0-MB L3 cache, dual core, 35 W):	
	• 1000M 1.8-GHz processor	713162-001
	• B830 1.8-GHz processor	699547-001
(16)	WLAN module:	
	Atheros AR9485 802.11b/g/n 1x1 WiFi Adapter	675794-001
	Ralink RT3290LE 802.11bgn 1x1 Wi-Fi and Bluetooth 4.0 Combo Adapter	690020-001
	Realtek RTL8188EE 802.11bgn Wi-Fi Adapter	709848-001
(17)	Memory module (PC3, 12800, 1600-MHz):	
	4 GB	641369-001
	2 GB	652972-001
(18)	Hard drive (2.5-in, SATA; does not include hard drive cable or bracket):	
	NOTE: The hard drive cable and bracket are included in the Hard Drive Hardware Kit, spare part number 685089-001.	
	750-GB, 5400-rpm	634250-001
	640-GB, 5400-rpm	669300-001
	500-GB, 5400-rpm	669299-001
	320-GB, 5400-rpm	622643-001
(19)	Base enclosure	704016-001
(20)	Battery:	
	6-cell, 55-Whr, 2.55-Ah Li-ion battery	593554-001
	6-cell, 47-Whr, 2.20-Ah Li-ion battery	593553-001

Item	Component	Spare part number
(21)	Optical drive (includes rear optical drive bracket but does not include optical drive cable or cable bracket)	
	NOTE: The optical drive cable and cable bracket are included in the optical drive cable kit, spare part number 685084-001.	
	DVD±RW Double-Layer SuperMulti Drive	689685-001
	Optical drive plastic insert (for use in models without an optical drive; not illustrated)	727614-001

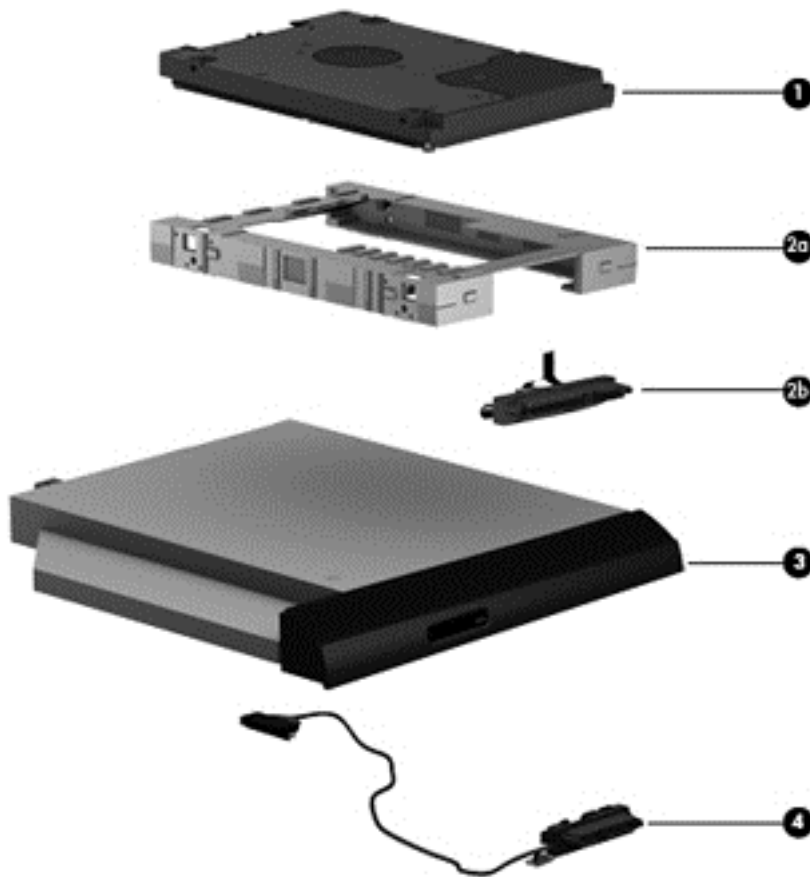
Display assembly subcomponents



Item	Component	Spare part number
(1)	Display bezel	689675-001
(2)	Webcam/microphone module, HD	703461-001
(3)	39.6-cm (15.6-inch), HD, LED, BrightView raw display panel	720510-001
(4a)	Top hinge covers	
(4b)	Side hinge covers	
(5)	Hinges (include hinges and left and right hinge covers)	689679-001

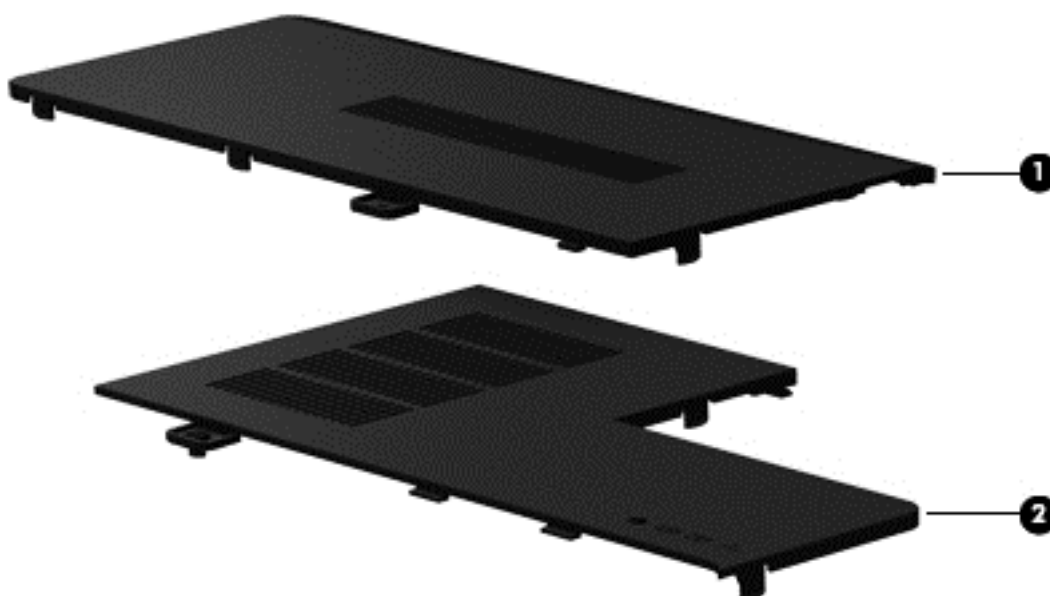
Item	Component	Spare part number
(6)	Display cable (includes display panel cable and webcam/microphone cable)	689677-001
(7)	Antennas (includes wireless antenna cables and transceivers)	689670-001
(8)	Display enclosure	720508-001

Mass storage devices



Item	Component	Spare part number
(1)	Hard drive (2.5-in, SATA; does not include hard drive cable or bracket): NOTE: The hard drive cable and bracket are included in the Hard Drive Hardware Kit, spare part number 685089-001.	
	750-GB, 5400-rpm	634250-001
	640-GB, 5400-rpm	669300-001
	500-GB, 5400-rpm	669299-001
	320-GB, 5400-rpm	622643-001
	Hard Drive Hardware Kit , includes:	685089-001
(2a)	Hard drive bracket	
(2b)	Hard drive cable	
(3)	Optical drive (DVD±RW Double-Layer SuperMulti Drive; includes rear optical drive bracket but does not include optical drive cable or cable bracket) NOTE: The optical drive cable and cable bracket are included in the optical drive cable kit, spare part number 685084-001.	689685-001
(4)	Optical drive cable (includes cable bracket)	685084-001
	Optical drive plastic insert (for use in models without an optical drive; not illustrated)	727614-001

Plastics kit



Item	Component	Spare part number
	Plastics Kit , includes:	689689-001
(1)	Hard drive compartment cover (includes one captive screw, secured by a C-clip)	
(2)	Memory module/wireless module compartment cover (includes one captive screw, secured by a C-clip)	

Miscellaneous parts

Component	Spare part number
65-W HP Smart AC adapter	
For use in India and the People's Republic of China	693710-001
For use in all counties and regions except for India and the People's Republic of China	693711-001
Power cord (3-pin, black, 1.83-m)	
For use in Argentina	490371-D01
For use in Denmark	490371-081
For use in Europe	490371-021
For use in Israel	490371-BB1
For use in North America	490371-001
For use in Italy	490371-061
For use in South Africa	490371-AR1
For use in Switzerland	490371-111

Component	Spare part number
For use in the United Kingdom	490371-031
Rubber computer feet (includes computer feet and display rubber)	691221-001
Screw Kit	689691-001
Thermal pad (for use with all models)	651046-001

Sequential part number listing

Spare part number	Description
449137-001	RTC battery
490371-001	Power cord for use in North America (3-pin, black, 1.83-m)
490371-021	Power cord (3-pin, black, 1.83-m) for use in Europe
490371-031	Power cord (3-pin, black, 1.83-m) for use in the United Kingdom
490371-061	Power cord (3-pin, black, 1.83-m) for use in Italy
490371-081	Power cord (3-pin, black, 1.83-m) for use in Denmark
490371-111	Power cord (3-pin, black, 1.83-m) for use in Switzerland
490371-AR1	Power cord (3-pin, black, 1.83-m) for use in South Africa
490371-BB1	Power cord (3-pin, black, 1.83-m) for use in Israel
490371-D01	Power cord (3-pin, black, 1.83-m) for use in Argentina
593553-001	6-cell, 47-Whr, 2.20-Ah Li-ion battery
593554-001	6-cell, 55-Whr, 2.55-Ah Li-ion battery
622643-001	320-GB, 5400-rpm, SATA hard drive (does not include hard drive cable or bracket)
634250-001	750-GB, 5400-rpm, SATA hard drive (does not include hard drive cable or bracket)
641369-001	4-GB memory module (PC3, 12800, 1600-MHz)
651046-001	Thermal pad (for use with all models)
652972-001	2-GB memory module (PC3, 12800, 1600-MHz)
664662-001	Intel Pentium B960, 2.20-GHz processor (2.0-MB L3 cache, dual core, 35 W; includes replacement thermal materials)
669299-001	500-GB, 5400-rpm, SATA hard drive (does not include hard drive cable or bracket)
669300-001	640-GB, 5400-rpm, SATA hard drive (does not include hard drive cable or bracket)
675794-001	Atheros AR9485 802.11b/g/n 1x1 WiFi Adapter
676785-001	Intel Pentium B970 2.30-GHz processor (2.0-MB L3 cache, dual core, 35 W; includes replacement thermal materials)
680645-001	Intel Core i5 3210, 2.50-GHz processor (3.0-MB L3 cache, dual core, 35 W; includes replacement thermal materials)
682417-001	Intel Core i3-3110M 2.40-GHz processor (3.0-MB L3 cache, dual core, 35 W; includes replacement thermal materials)

Spare part number	Description
685084-001	Optical drive cable (includes cable bracket)
685086-001	Fan/heat sink assembly for use only with computer models equipped with an Intel processor (includes replacement thermal materials)
685089-001	Hard Drive Hardware Kit (includes hard drive cable and bracket)
685761-001	System board for use only in models without Windows 8 and with an Intel HM75 chipset that include an Intel Core i5 or i3 processor (includes replacement thermal materials)
685761-501	System board for use only in models with Windows 8 Standard and with an Intel HM75 chipset that include an Intel Core i5 or i3 processor (includes replacement thermal materials)
685761-601	System board for use only in models with Windows 8 Professional and with an Intel HM75 chipset that include an Intel Core i5 or i3 processor (includes replacement thermal materials)
685768-001	System board for use only in models without Windows 8 and with an Intel HM70 chipset that include an Intel Pentium or Celeron processor (includes replacement thermal materials)
685768-501	System board for use only in models with Windows 8 Standard and with an Intel HM70 chipset that include an Intel Pentium or Celeron processor (includes replacement thermal materials)
685768-601	System board for use only in models with Windows 8 Professional and with an Intel HM70 chipset that include an Intel Pentium or Celeron processor (includes replacement thermal materials)
688281-001	Fan/heat sink assembly for use only with models with an AMD processor (includes replacement thermal materials)
688852-001	System board for use only with models without Windows 8 and with an AMD E1-1200 processor (includes replacement thermal materials)
688852-501	System board for use only with models with Windows 8 Standard and with an AMD E1-1200 processor (includes replacement thermal materials)
688852-601	System board for use only with models with Windows 8 Professional and with an AMD E1-1200 processor (includes replacement thermal materials)
688853-001	System board for use only with models without Windows 8 and with an AMD E2-1800 processor (includes replacement thermal materials)
688853-501	System board for use only with models with Windows 8 Standard and an AMD E2-1800 processor (includes replacement thermal materials)
688853-601	System board for use only with models with Windows 8 Professional and an AMD E2-1800 processor (includes replacement thermal materials)
689670-001	Antennas (includes wireless antenna cables and transceivers)
689675-001	Display bezel
689677-001	Display cable (includes display panel cable and webcam/microphone cable)
689678-001	Power connector cable
689679-001	Hinges (includes hinges and left and right hinge covers)
689685-001	DVD±RW Double-Layer SuperMulti Drive; includes rear optical drive bracket but does not include optical drive cable or cable bracket)
689686-001	Power button board (includes cable)
689687-001	USB board (includes cable)
689688-001	TouchPad button board (includes bracket and cables)

Spare part number	Description
689689-001	Plastics Kit (includes hard drive compartment cover, memory module/wireless module compartment cover, and captive screws secured by C-clips)
689691-001	Screw Kit
689693-001	Speakers (includes left and right speakers and cable)
690020-001	Ralink RT3290LE 802.11bgn 1x1 Wi-Fi and Bluetooth 4.0 Combo Adapter
691221-001	Rubber computer feet (includes computer feet and display rubber)
692428-001	Intel Pentium B980, 2.40-GHz processor (2.0-MB L3 cache, dual core, 35 W)
693542-001	Intel Core i3 2328M, 2.20-GHz processor (3.0-MB L3 cache, dual core, 35 W)
693710-001	65-W HP Smart AC adapter for use in India and the People's Republic of China
693711-001	65-W HP Smart AC adapter for use in all countries and regions except for India and the People's Republic of China
698694-001	Keyboard for use in the United States (includes keyboard cable)
698694-031	Keyboard for use in the United Kingdom (includes keyboard cable)
698694-041	Keyboard for use in Germany (includes keyboard cable)
698694-051	Keyboard for use in France (includes keyboard cable)
698694-061	Keyboard for use in Italy (includes keyboard cable)
698694-071	Keyboard for use in Spain (includes keyboard cable)
698694-131	Keyboard for use in Portugal (includes keyboard cable)
698694-141	Keyboard for use in Turkey (includes keyboard cable)
698694-151	Keyboard for use in Greece (includes keyboard cable)
698694-161	Keyboard for use in Latin America (includes keyboard cable)
698694-171	Keyboard for use in Saudi Arabia (includes keyboard cable)
698694-211	Keyboard for use in Hungary (includes keyboard cable)
698694-251	Keyboard for use in Russia (includes keyboard cable)
698694-261	Keyboard for use in Bulgaria (includes keyboard cable)
698694-291	Keyboard for use in Japan (includes keyboard cable)
698694-A41	Keyboard for use in Belgium (includes keyboard cable)
698694-AD1	Keyboard for use in South Korea (includes keyboard cable)
698694-B31	Keyboard for use in the Netherlands and Europe (includes keyboard cable)
698694-BA1	Keyboard for use in Slovenia/Adriatic (includes keyboard cable)
698694-BB1	Keyboard for use in Israel (includes keyboard cable)
698694-BG1	Keyboard for use in Switzerland (includes keyboard cable)
698694-D61	Keyboard for use in India (includes keyboard cable)
698694-DB1	Keyboard for use in French Canada (includes keyboard cable)
698694-DH1	Keyboard for use in the Netherlands (includes keyboard cable)

Spare part number	Description
698694-FL1	Keyboard for use in the Czech Republic and Slovakia (includes keyboard cable)
699547-001	Intel Celeron B830, 1.8-GHz processor (2.0-MB L3 cache, dual core, 35 W)
700627-001	Intel Core i3 3120M, 2.50-GHz processor (3.0-MB L3 cache, dual core, 35 W)
700628-001	Intel Pentium 2020M, 2.40-GHz processor (2.0-MB L3 cache, dual core, 35 W)
703461-001	Webcam/microphone module, HD
704016-001	Base enclosure
709848-001	Realtek RTL8188EE 802.11bgn Wi-Fi Adapter
711903-001	Intel Core i5, 3230M 2.60-GHz processor (3.0-MB L3 cache, dual core, 35 W)
713162-001	Intel Celeron 1000M, 1.8-GHz processor (2.0-MB L3 cache, dual core, 35 W)
713163-001	Intel Core i3 3130M, 2.60-GHz processor (3.0-MB L3 cache, dual core, 35 W)
713164-001	Intel Pentium 2030M, 2.50-GHz processor (2.0-MB L3 cache, dual core, 35 W)
713165-001	Intel Core i3-2348M 2.30-GHz processor (3.0-MB L3 cache, dual core, 35 W; includes replacement thermal materials)
720508-001	Display enclosure
720510-001	39.6-cm (15.6-inch), HD, LED, BrightView raw display panel
720511-001	Top cover (includes TouchPad)
720632-001	System board for use only with models without Windows 8 and an AMD E2-3450 processor (includes replacement thermal materials)
720632-501	System board for use only with models with Windows 8 Standard and an AMD E2-3450 processor (includes replacement thermal materials)
720632-601	System board for use only with models with Windows 8 Professional and an AMD E2-3450 processor (includes replacement thermal materials)
720633-001	System board for use only with models without Windows 8 and an AMD E1-3310 processor (includes replacement thermal materials)
720633-501	System board for use only with models with Windows 8 Standard and an AMD E1-3310 processor (includes replacement thermal materials)
720633-601	System board for use only with models with Windows 8 Professional and an AMD E1-3310 processor (includes replacement thermal materials)
720634-001	System board for use only with models without Windows 8 and an AMD E2-2000 processor (includes replacement thermal materials)
720634-501	System board for use only with models with Windows 8 Standard and an AMD E2-2000 processor (includes replacement thermal materials)
720634-601	System board for use only with models with Windows 8 Professional and an AMD E2-2000 processor (includes replacement thermal materials)
720635-001	System board for use only with models without Windows 8 and an AMD E1-1500 processor (includes replacement thermal materials)
720635-501	System board for use only with models with Windows 8 Standard and an AMD E1-1500 processor (includes replacement thermal materials)
720635-601	System board for use only with models with Windows 8 Professional and an AMD E1-1500 processor (includes replacement thermal materials)

Spare part number	Description
727614-001	Optical drive plastic insert (for use in models without an optical drive)
730670-001	System board for use only with models without Windows 8 and an AMD A6-5200 processor (includes replacement thermal materials)
730670-501	System board for use only with models with Windows 8 Standard and an AMD A16-5200 processor (includes replacement thermal materials)
730670-601	System board for use only with models with Windows 8 Professional and an AMD A6-5200 processor (includes replacement thermal materials)
730671-001	System board for use only with models without Windows 8 and an AMD A4-5000 processor (includes replacement thermal materials)
730671-501	System board for use only with models with Windows 8 Standard and an AMD A4-5000 processor (includes replacement thermal materials)
730671-601	System board for use only with models with Windows 8 Professional and an AMD A4-5000 processor (includes replacement thermal materials)

4 Removal and replacement procedures

Preliminary replacement requirements


Tools required

You will need the following tools to complete the removal and replacement procedures:


- Flat-bladed screwdriver
- Magnetic screwdriver
- Phillips P0 and P1 screwdrivers

Service considerations


The following sections include some of the considerations that you must keep in mind during disassembly and assembly procedures.

 **NOTE:** As you remove each subassembly from the computer, place the subassembly (and all accompanying screws) away from the work area to prevent damage.

Plastic parts

 **CAUTION:** Using excessive force during disassembly and reassembly can damage plastic parts. Use care when handling the plastic parts. Apply pressure only at the points designated in the maintenance instructions.

Cables and connectors

 **CAUTION:** When servicing the computer, be sure that cables are placed in their proper locations during the reassembly process. Improper cable placement can damage the computer.

Cables must be handled with extreme care to avoid damage. Apply only the tension required to unseat or seat the cables during removal and insertion. Handle cables by the connector whenever possible. In all cases, avoid bending, twisting, or tearing cables. Be sure that cables are routed in such a way that they cannot be caught or snagged by parts being removed or replaced. Handle flex cables with extreme care; these cables tear easily.

Drive handling

⚠ CAUTION: Drives are fragile components that must be handled with care. To prevent damage to the computer, damage to a drive, or loss of information, observe these precautions:

Before removing or inserting a hard drive, shut down the computer. If you are unsure whether the computer is off or in Hibernation, turn the computer on, and then shut it down through the operating system.

Before handling a drive, be sure that you are discharged of static electricity. While handling a drive, avoid touching the connector.

Before removing a diskette drive or optical drive, be sure that a diskette or disc is not in the drive and be sure that the optical drive tray is closed.

Handle drives on surfaces covered with at least one inch of shock-proof foam.

Avoid dropping drives from any height onto any surface.

After removing a hard drive, an optical drive, or a diskette drive, place it in a static-proof bag.

Avoid exposing an internal hard drive to products that have magnetic fields, such as monitors or speakers.

Avoid exposing a drive to temperature extremes or liquids.

If a drive must be mailed, place the drive in a bubble pack mailer or other suitable form of protective packaging and label the package "FRAGILE."

Grounding guidelines

Electrostatic discharge damage

Electronic components are sensitive to electrostatic discharge (ESD). Circuitry design and structure determine the degree of sensitivity. Networks built into many integrated circuits provide some protection, but in many cases, ESD contains enough power to alter device parameters or melt silicon junctions.

A discharge of static electricity from a finger or other conductor can destroy static-sensitive devices or microcircuitry. Even if the spark is neither felt nor heard, damage may have occurred.

An electronic device exposed to ESD may not be affected at all and can work perfectly throughout a normal cycle. Or the device may function normally for a while, then degrade in the internal layers, reducing its life expectancy.

⚠ CAUTION: To prevent damage to the computer when you are removing or installing internal components, observe these precautions:

Keep components in their electrostatic-safe containers until you are ready to install them.

Before touching an electronic component, discharge static electricity by using the guidelines described in this section.

Avoid touching pins, leads, and circuitry. Handle electronic components as little as possible.

If you remove a component, place it in an electrostatic-safe container.

The following table shows how humidity affects the electrostatic voltage levels generated by different activities.

⚠ CAUTION: A product can be degraded by as little as 700 V.

Typical electrostatic voltage levels			
Event	Relative humidity		
	10%	40%	55%
Walking across carpet	35,000 V	15,000 V	7,500 V
Walking across vinyl floor	12,000 V	5,000 V	3,000 V
Motions of bench worker	6,000 V	800 V	400 V
Removing DIPs from plastic tube	2,000 V	700 V	400 V
Removing DIPs from vinyl tray	11,500 V	4,000 V	2,000 V
Removing DIPs from Styrofoam	14,500 V	5,000 V	3,500 V
Removing bubble pack from PCB	26,500 V	20,000 V	7,000 V
Packing PCBs in foam-lined box	21,000 V	11,000 V	5,000 V

Packaging and transporting guidelines

Follow these grounding guidelines when packaging and transporting equipment:

- To avoid hand contact, transport products in static-safe tubes, bags, or boxes.
- Protect ESD-sensitive parts and assemblies with conductive or approved containers or packaging.
- Keep ESD-sensitive parts in their containers until the parts arrive at static-free workstations.
- Place items on a grounded surface before removing items from their containers.
- Always be properly grounded when touching a component or assembly.
- Store reusable ESD-sensitive parts from assemblies in protective packaging or non-conductive foam.
- Use transporters and conveyors made of antistatic belts and roller bushings. Be sure that mechanized equipment used for moving materials is wired to ground and that proper materials are selected to avoid static charging. When grounding is not possible, use an ionizer to dissipate electric charges.

Workstation guidelines

Follow these grounding workstation guidelines:

- Cover the workstation with approved static-shielding material.
- Use a wrist strap connected to a properly grounded work surface and use properly grounded tools and equipment.
- Use conductive field service tools, such as cutters, screwdrivers, and vacuums.
- When fixtures must directly contact dissipative surfaces, use fixtures made only of static-safe materials.
- Keep the work area free of nonconductive materials, such as ordinary plastic assembly aids and Styrofoam.
- Handle ESD-sensitive components, parts, and assemblies by the case or PCM laminate. Handle these items only at static-free workstations.

- Avoid contact with pins, leads, or circuitry.
- Turn off power and input signals before inserting or removing connectors or test equipment.

Equipment guidelines

Grounding equipment must include either a wrist strap or a foot strap at a grounded workstation.

- When seated, wear a wrist strap connected to a grounded system. Wrist straps are flexible straps with a minimum of one megohm $\pm 10\%$ resistance in the ground cords. To provide proper ground, wear a strap snugly against the skin at all times. On grounded mats with banana-plug connectors, use alligator clips to connect a wrist strap.
- When standing, use foot straps and a grounded floor mat. Foot straps (heel, toe, or boot straps) can be used at standing workstations and are compatible with most types of shoes or boots. On conductive floors or dissipative floor mats, use foot straps on both feet with a minimum of one megohm resistance between the operator and ground. To be effective, the conductive must be worn in contact with the skin.

The following grounding equipment is recommended to prevent electrostatic damage:

- Antistatic tape
- Antistatic smocks, aprons, and sleeve protectors
- Conductive bins and other assembly or soldering aids
- Nonconductive foam
- Conductive tabletop workstations with ground cords of one megohm resistance
- Static-dissipative tables or floor mats with hard ties to the ground
- Field service kits
- Static awareness labels
- Material-handling packages
- Nonconductive plastic bags, tubes, or boxes
- Metal tote boxes
- Electrostatic voltage levels and protective materials

The following table lists the shielding protection provided by antistatic bags and floor mats.

Material	Use	Voltage protection level
Antistatic plastics	Bags	1,500 V
Carbon-loaded plastic	Floor mats	7,500 V
Metallized laminate	Floor mats	5,000 V

Component replacement procedures

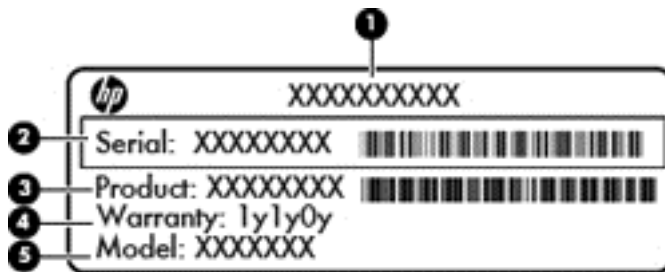
This chapter provides removal and replacement procedures.

Make special note of each screw's size and location during removal and replacement.

Service tag and PCID label

Service tag

When ordering parts or requesting information, provide the computer serial number and model description provided on the service tag.

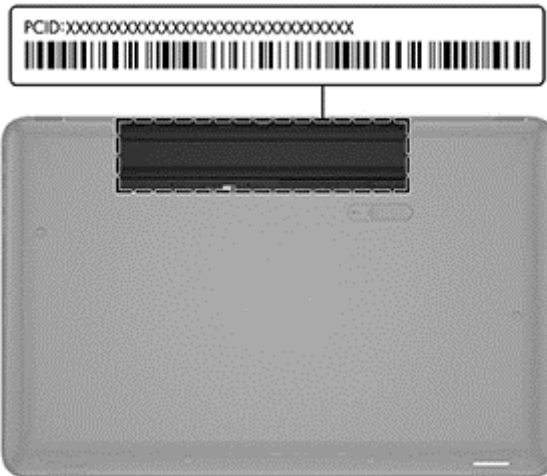


- Product name **(1)**. This is the product name affixed to the front of the computer.
- Serial number (s/n) **(2)**. This is an alphanumeric identifier that is unique to each product.
- Part number/Product number (p/n) **(3)**. This number provides specific information about the product's hardware components. The part number helps a service technician to determine what components and parts are needed.
- Warranty period **(4)**. This number describes the duration (in years) of the warranty period for the computer.
- Model description (select models only) **(5)**. This is the alphanumeric identifier used to locate documents, drivers, and support for the computer.

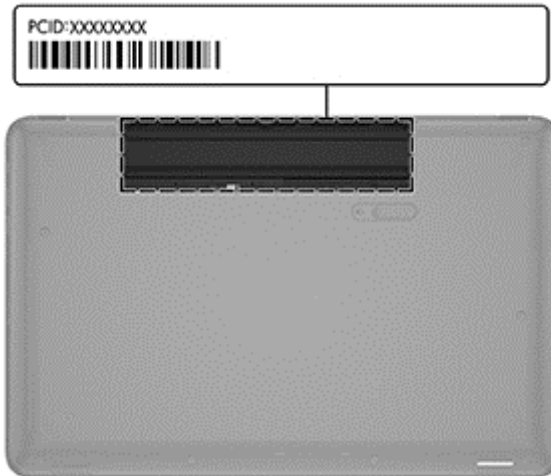
PCID label

The PCID label provides the information required to properly reset the notebook firmware (BIOS) back to factory shipped specifications when replacing the system board. The label may have a different number of characters depending on the operating system on the computer.

Windows 8 models



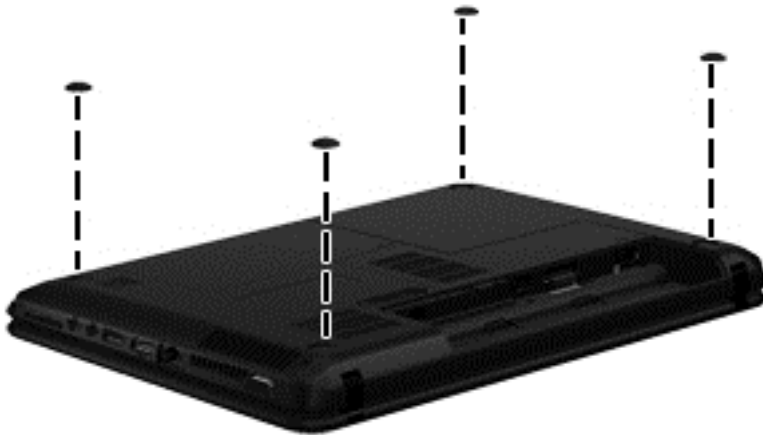
Non-Windows 8 models



Computer feet

Description	Spare part number
Rubber computer feet	691221-001

The computer feet are adhesive-backed rubber pads. There are 4 rubber feet that attach to the base enclosure in the locations illustrated below.



Battery


Description	Spare part number
6-cell, 55-Whr, 2.55-Ah Li-ion battery	593554-001
6-cell, 47-Whr, 2.20-Ah Li-ion battery	593553-001

Before disassembling the computer, follow these steps:

1. Shut down the computer. If you are unsure whether the computer is off or in Hibernation, turn the computer on, and then shut it down through the operating system.
2. Disconnect all external devices connected to the computer.
3. Disconnect the power from the computer by first unplugging the power cord from the AC outlet and then unplugging the AC adapter from the computer.

To remove the battery:

1. Turn the computer upside down on a flat surface.
2. Slide the battery release latch **(1)** to release the battery.

 **NOTE:** The battery release latch automatically returns to its original position.

3. Pivot the battery **(2)** upward and remove it **(3)** from the computer.



To insert the battery:

1. Align the tabs on the rear edge of the battery with the notches on the rear edge of the battery bay.
2. Pivot the front edge of the battery down into the battery bay until it is seated. (The battery release latch will automatically lock into place.)

Display subcomponents (bezel, webcam, panel)

This section describes removing display subcomponents that do not require that you remove the entire display assembly from the computer. You can remove the display bezel, webcam/microphone module, and display panel while the display assembly is still attached to the computer.

To remove the remaining display subcomponents, including the hinge covers, hinges, cable, antennas, and enclosure, you must remove the entire display assembly from the computer. See [Display assembly on page 71](#) for more information about removing the display assembly in its entirety.

Description	Spare part number
Display bezel (includes Mylar screw covers)	689675-001
Webcam/microphone module, HD	703461-001
39.6-cm (15.6-inch), HD, LED, BrightView raw display panel	720510-001

Before removing the display bezel, webcam/microphone module, and display panel while the display assembly is still attached to the computer, follow these steps:

1. Shut down the computer. If you are unsure whether the computer is off or in Hibernation, turn the computer on, and then shut it down through the operating system.
2. Disconnect all external devices connected to the computer.
3. Disconnect the power from the computer by first unplugging the power cord from the AC outlet and then unplugging the AC adapter from the computer.
4. Remove the battery (see [Battery on page 36](#)).

To remove the display bezel, webcam/microphone module, and display panel while the display assembly is still attached to the computer:

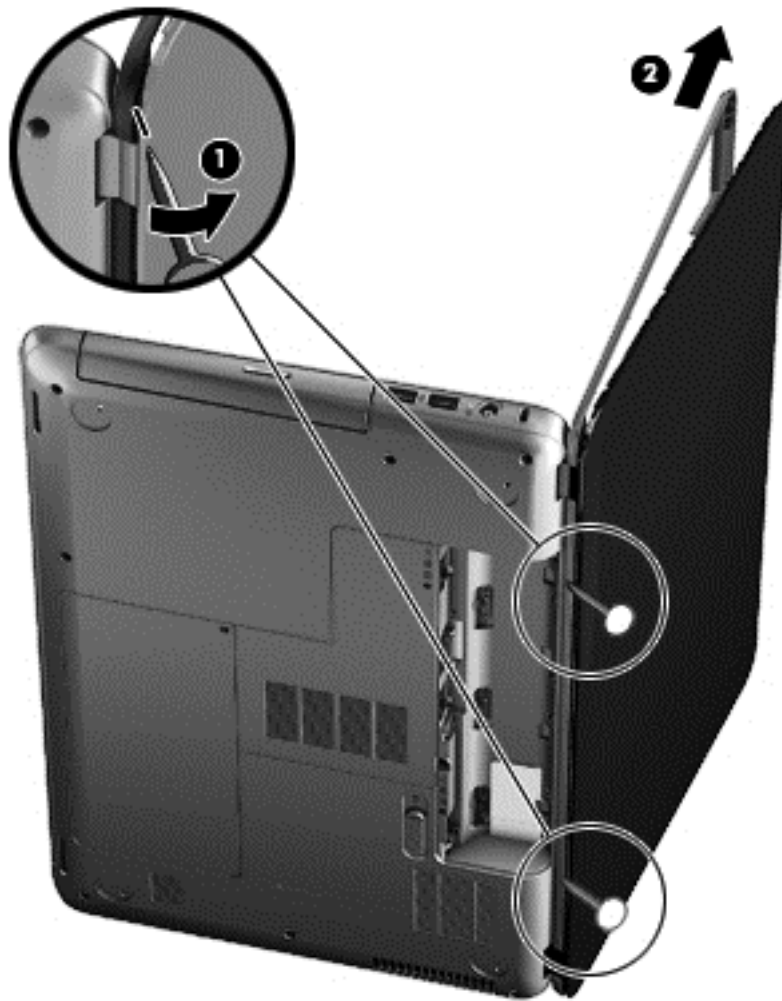
1. Position the computer right-side up with the front toward you, and then open it.
2. Remove the two Mylar screw covers **(1)** and the two Phillips PM2.5×4.0 screws **(2)** that secure the display bezel to the display assembly. The Mylar screw covers are included with the display bezel spare part kit.

3. Flex and disengage the inside edges of the bottom (**3**), left and right sides (**4**), and top (**5**) of the bezel.



4. Open the computer and position it on its side with the back and bottom facing you.

5. Use a tool to pry to bottom of the bezel from the display **(1)**, and then remove the bezel from the display **(2)**.



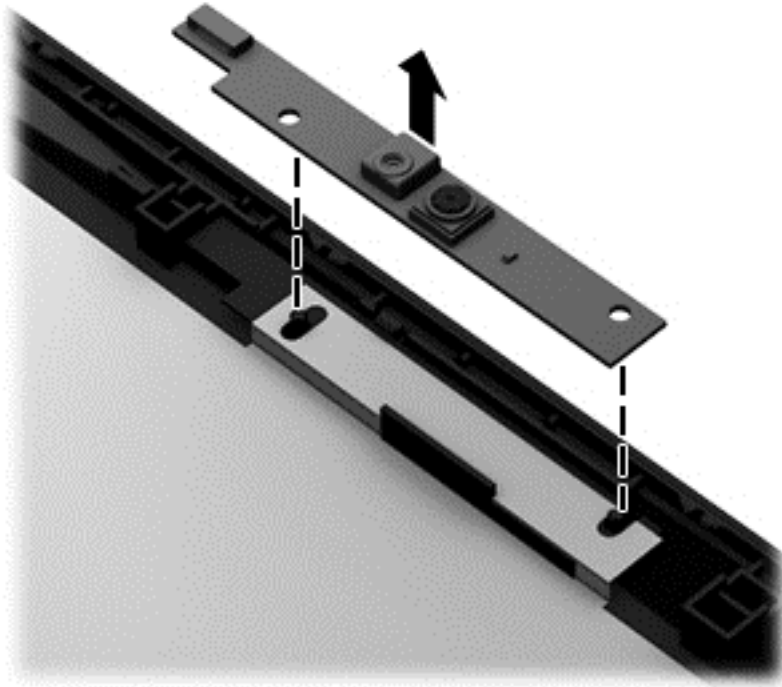
6. To remove the webcam/microphone module:
 - a. Remove the two broadhead Phillips PM2.5×2.5 screws **(1)** that secure the display panel and hinges to the enclosure, and then tilt the display panel **(2)** away from the enclosure as far as possible.



- b. Disconnect the module cable from the module.



- c. Remove the webcam/microphone module. (The module is attached to the display enclosure with double-sided tape.)



7. To remove the display panel:

- a.** Remove the four Phillips PM2.0×3.0 screws **(1)** that secure the display hinges to the display panel, and then tilt the display panel down **(2)** until it rests on the computer.



- b.** Release the adhesive strip **(1)** that secures the display panel cable to the display panel, and then disconnect the display panel cable **(2)** from the display panel.

- c. Release the webcam/microphone module cable that is secured to the back of the display panel with adhesive material, and then remove the display panel **(3)**.



Reverse this procedure to reassemble and install the display bezel, webcam/microphone module, and display panel.

WLAN module

Description	Spare part number
Atheros AR9485 802.11b/g/n 1x1 WiFi Adapter	675794-001
Ralink RT3290LE 802.11bgn 1x1 Wi-Fi and Bluetooth 4.0 Combo Adapter	690020-001
Realtek RTL8188EE 802.11bgn Wi-Fi Adapter	709848-001

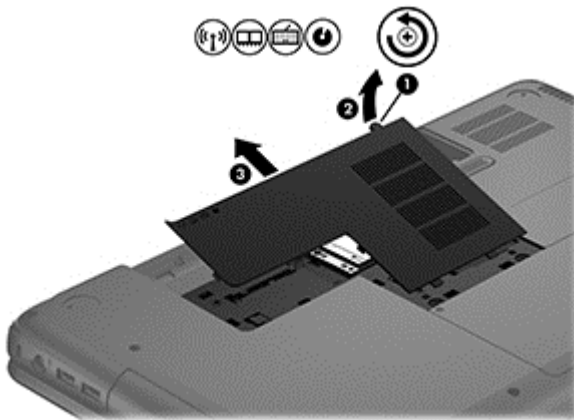
CAUTION: To prevent an unresponsive system, replace the wireless module only with a wireless module authorized for use in the computer by the governmental agency that regulates wireless devices in your country or region. If you replace the module and then receive a warning message, remove the module to restore device functionality, and then contact support.

Before removing the WLAN module, follow these steps:

1. Shut down the computer. If you are unsure whether the computer is off or in Hibernation, turn the computer on, and then shut it down through the operating system.
2. Disconnect all external devices connected to the computer.
3. Disconnect the power from the computer by first unplugging the power cord from the AC outlet and then unplugging the AC adapter from the computer.
4. Remove the battery (see [Battery on page 36](#)).

To remove the WLAN module:

1. Loosen the memory module/wireless module compartment cover screw **(1)**, and then lift up on the tab **(2)** and remove the cover **(3)**. The memory module/wireless module compartment cover is available in the Plastics Kit. For more information about the Plastics Kit, see [Plastics kit on page 23](#).



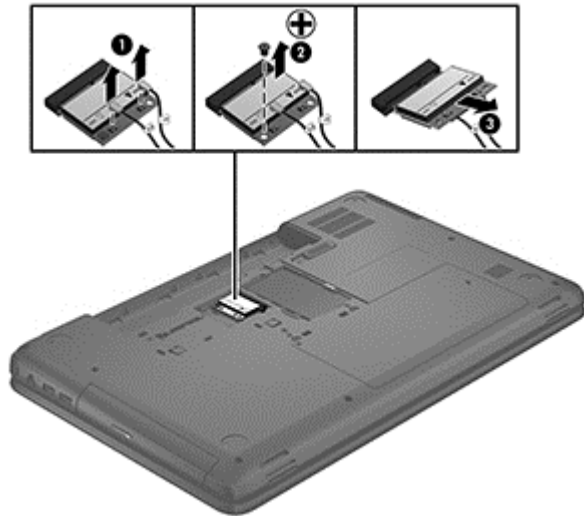
2. Disconnect the WLAN antenna cables **(1)** from the terminals on the WLAN module.




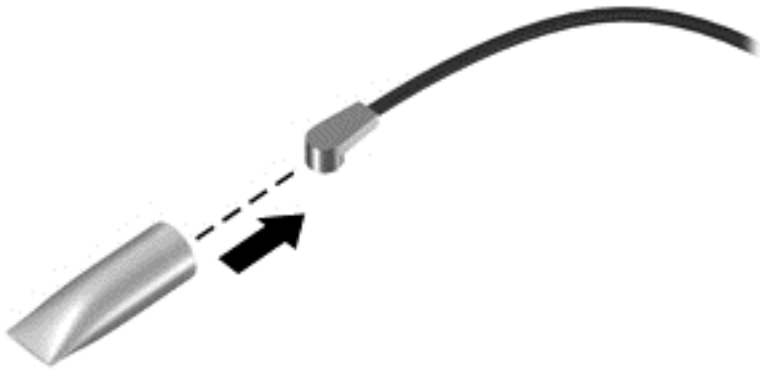
NOTE: The #1 WLAN antenna cable is connected to the WLAN module Main terminal. The #2 WLAN antenna cable is connected to the WLAN module Aux terminal.

3. Remove the Phillips PM2.0×3.0 screw **(2)** that secures the WLAN module to the system board. (The WLAN module tilts up.)

4. Remove the WLAN module by pulling the module away from the slot at an angle **(3)**.



 **NOTE:** If the WLAN antennas are not connected to the terminals on the WLAN module, the protective sleeves must be installed on the antenna connectors, as shown in the following illustration.



Reverse this procedure to install the WLAN module.


Memory module

Description	Spare part number
4-GB (PC3, 12800, 1600-MHz)	641369-001
2-GB (PC3, 12800, 1600-MHz)	652972-001

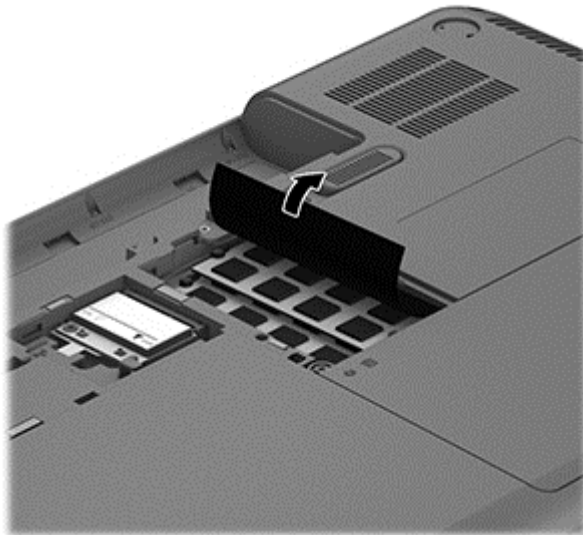
Before removing a memory module, follow these steps:

1. Shut down the computer. If you are unsure whether the computer is off or in Hibernation, turn the computer on, and then shut it down through the operating system.
2. Disconnect all external devices connected to the computer.
3. Disconnect the power from the computer by first unplugging the power cord from the AC outlet and then unplugging the AC adapter from the computer.
4. Remove the battery (see [Battery on page 36](#)).
5. Remove the memory module/wireless module compartment cover (see [WLAN module on page 45](#)).

To remove a memory module:

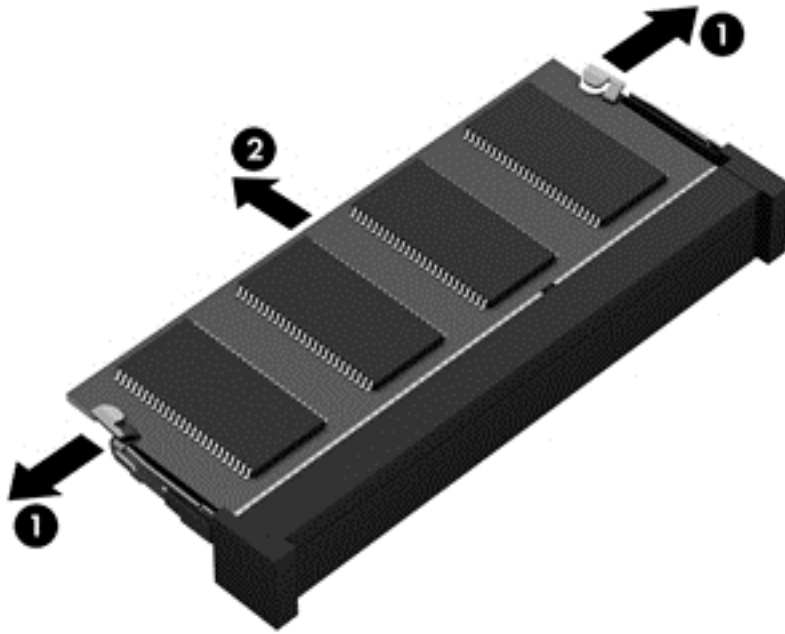
 **NOTE:** On HP 255 G1 models, if only one DIMM is installed, it must be installed in the bottom slot

1. Flip up the Mylar sheet protecting the memory module compartment.




2. Spread the retaining tabs **(1)** on each side of the memory module slot to release the memory module. (The memory module tilts up.)

3. Remove the memory module (2) by pulling it away from the slot at an angle.



Reverse this procedure to install a memory module.

Hard drive

 **NOTE:** The hard drive spare part kit does not include the hard drive cable or bracket. The hard drive cable and bracket are included in the Hard Drive Hardware Kit.

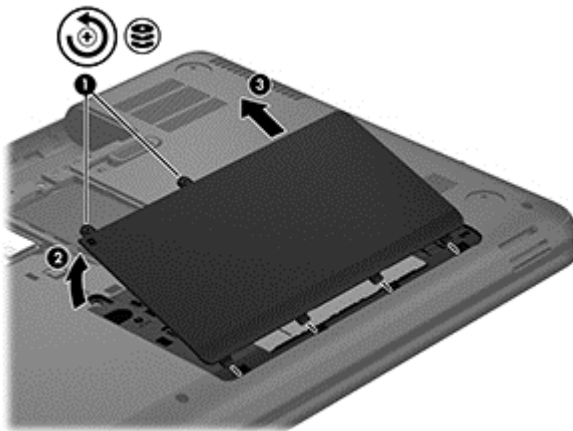
Description	Spare part number
750-GB, 5400-rpm	634250-001
640-GB, 5400-rpm	669300-001
500-GB, 5400-rpm	669299-001
320-GB, 5400-rpm	622643-001
Hard Drive Hardware Kit (includes hard drive cable and bracket)	685089-001

Before removing the hard drive, follow these steps:

1. Shut down the computer. If you are unsure whether the computer is off or in Hibernation, turn the computer on, and then shut it down through the operating system.
2. Disconnect all external devices connected to the computer.
3. Disconnect the power from the computer by first unplugging the power cord from the AC outlet and then unplugging the AC adapter from the computer.
4. Remove the battery (see [Battery on page 36](#)).
5. Remove the memory module/wireless module compartment cover (see [WLAN module on page 45](#)).

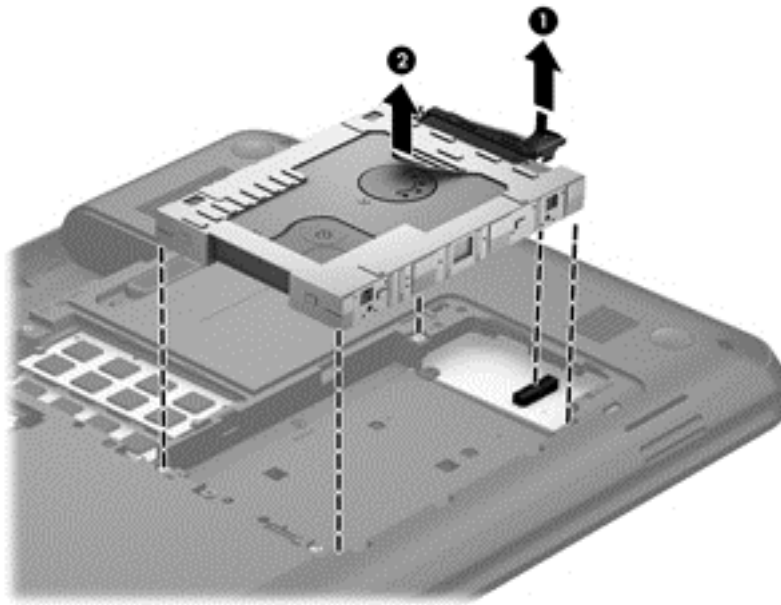
To remove the hard drive:

1. Loosen the hard drive cover screw **(1)**, and then lift up **(2)** and remove the cover **(3)**. The hard drive compartment cover is available in the Plastics Kit. For more information about the Plastics Kit, see [Plastics kit on page 23](#).

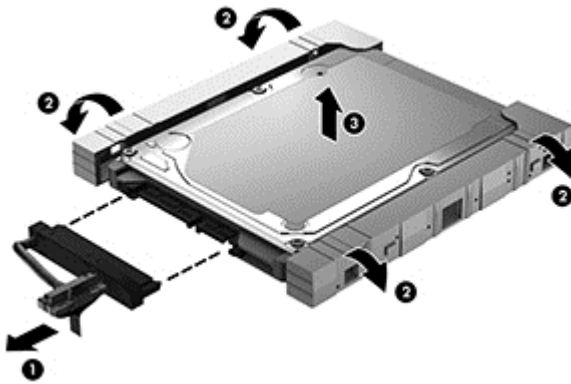


2. Disconnect the hard drive cable **(1)** from the system board.

3. Lift the hard drive **(2)** out of the hard drive bay.



4. Turn over the hard drive, then disconnect the hard drive cable **(1)** from the hard drive.
5. Pull the sides of the hard drive bracket **(2)** out and away from the hard drive.
6. Remove the hard drive **(3)** from the bracket.



Reverse this procedure to reassemble and install the hard drive.

RTC battery

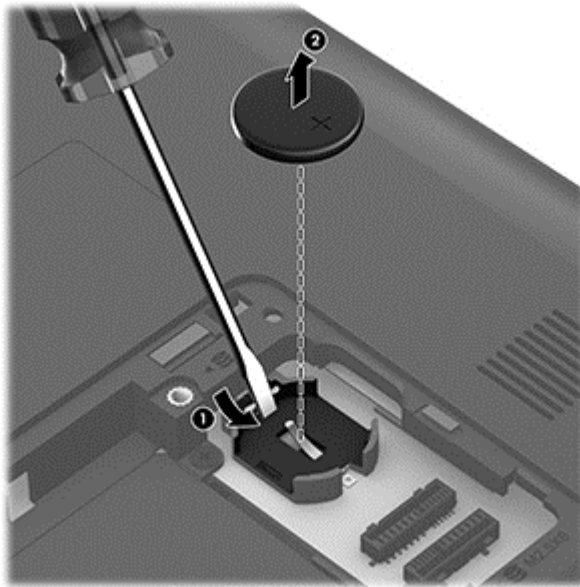
Description	Spare part number
RTC battery	449137-001

Before removing the RTC battery, follow these steps:

1. Shut down the computer. If you are unsure whether the computer is off or in Hibernation, turn the computer on, and then shut it down through the operating system.
2. Disconnect all external devices connected to the computer.
3. Disconnect the power from the computer by first unplugging the power cord from the AC outlet and then unplugging the AC adapter from the computer.
4. Remove the battery (see [Battery on page 36](#)).
5. Remove the memory module/wireless module compartment cover (see [WLAN module on page 45](#)).
6. Remove the hard drive compartment cover (see [Hard drive on page 49](#)).


To remove the RTC battery:

- ▲ Insert a screwdriver or similar small tool between the battery and the clip that secures it **(1)**, pry the battery up to disengage it from the socket, and then remove the battery **(2)**.



Reverse this procedure to install the RTC battery.

Optical drive

 **NOTE:** The optical drive spare part kit includes the rear optical drive bracket but does not include the optical drive cable or cable bracket. The optical drive cable and cable bracket are included in the optical drive cable kit. See [Optical drive cable on page 84](#) for more information about the optical drive cable and cable bracket.

Description	Spare part number
DVD±RW Double-Layer SuperMulti Drive	689685-001
Optical drive plastic insert (for use in models without an optical drive)	727614-001

Before removing the optical drive, follow these steps:

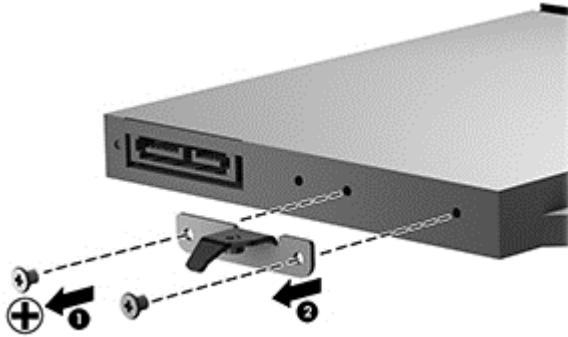
1. Shut down the computer. If you are unsure whether the computer is off or in Hibernation, turn the computer on, and then shut it down through the operating system.
2. Disconnect all external devices connected to the computer.
3. Disconnect the power from the computer by first unplugging the power cord from the AC outlet and then unplugging the AC adapter from the computer.
4. Remove the battery (see [Battery on page 36](#)).
5. Remove the memory module/wireless module compartment cover (see [WLAN module on page 45](#)).
6. Remove the hard drive (see [Hard drive on page 49](#)).

To remove the optical drive:

1. Remove the Phillips PM2.5×5.0 screw **(1)** that secures the optical drive to the computer.
2. Insert a screwdriver or similar small tool into the hole at the rear of the optical drive bay, and then push the optical drive **(2)** to release it from the bay.
3. Remove the optical drive **(3)** by sliding it out of the optical drive bay.



4. If it is necessary to replace the optical drive bracket on the rear of the optical drive, position the optical drive with the rear panel toward you.
5. Remove the two Phillips PM2.0×3.0 screws **(1)** that secure the bracket to the optical drive.
6. Remove the optical drive bracket **(2)**.



Reverse this procedure to reassemble and install the optical drive.

Keyboard



NOTE: The keyboard spare part kit includes a keyboard cable.

Description	Spare part number
Keyboard	698694-xx1

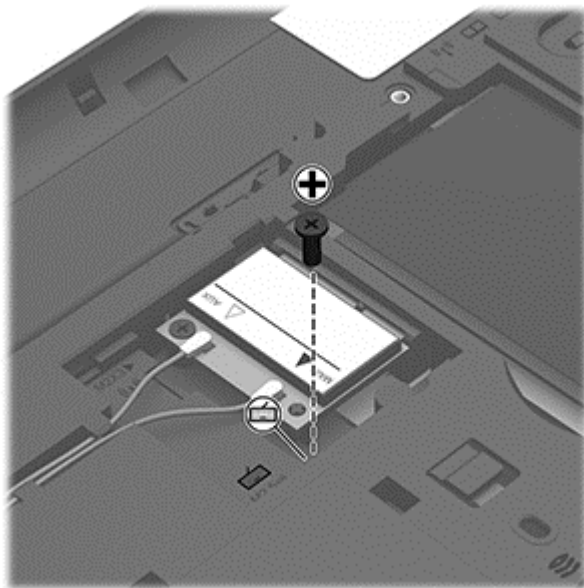
For a detailed list of available keyboards, see [Sequential part number listing on page 24](#).

Before removing the keyboard, follow these steps:

1. Shut down the computer. If you are unsure whether the computer is off or in Hibernation, turn the computer on, and then shut it down through the operating system.
2. Disconnect all external devices connected to the computer.
3. Disconnect the power from the computer by first unplugging the power cord from the AC outlet and then unplugging the AC adapter from the computer.
4. Remove the battery (see [Battery on page 36](#)).
5. Remove the memory module/wireless module compartment cover (see [WLAN module on page 45](#)).
6. Remove the hard drive compartment cover (see [Hard drive on page 49](#)).

Remove the keyboard:

1. Remove the Phillips PM2.5×6.0 screw that secures the keyboard to the computer just below the WLAN module slot.

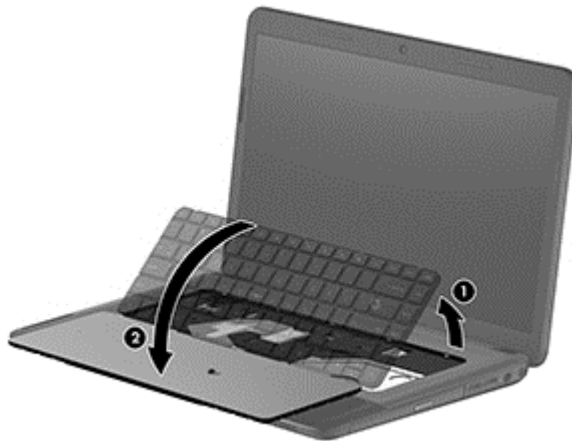


2. Rest and secure the computer on its left side with the bottom toward you, and then partially open the computer.
3. Using a flat-bladed screwdriver or similar tool, push the tabs of the three keyboard clips **(1)** that are visible inside the battery bay towards the rear of the computer to loosen the keyboard.

4. Insert a screwdriver or similar small tool into the keyboard release hole **(2)**, and then press on the back of the keyboard until the keyboard disengages from the computer.



5. Turn the computer right-side up with the front toward you.
6. Lift the rear edge of the keyboard **(1)**, and then swing the keyboard up and forward **(2)** until it rests upside down on the palm rest.




7. Release the zero insertion force (ZIF) connector **(1)** to which the keyboard cable is attached, and then disconnect the keyboard cable **(2)** from the system board.

8. Remove the keyboard (3).



Reverse this procedure to install the keyboard.


Top cover

 **NOTE:** The top cover spare part kit includes the TouchPad. However, it does not include the TouchPad cables. The TouchPad cables are included with the TouchPad button board. For more information on the TouchPad button board, see [TouchPad button board on page 63](#).

Description	Spare part number
Top cover	720511-001

Before removing the top cover, follow these steps:

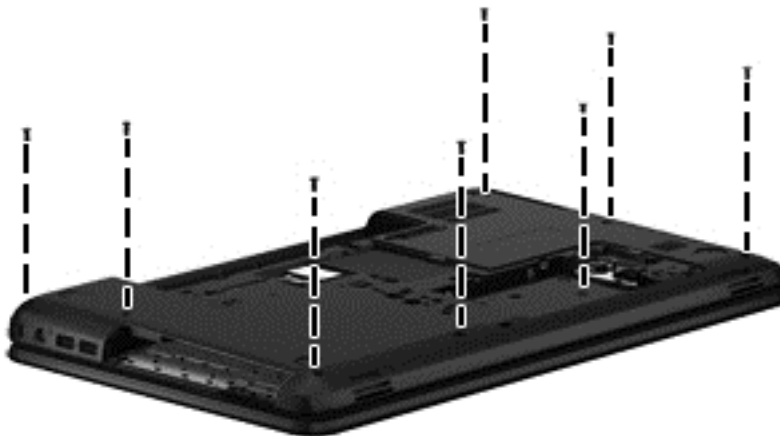
1. Shut down the computer. If you are unsure whether the computer is off or in Hibernation, turn the computer on, and then shut it down through the operating system.
2. Disconnect all external devices connected to the computer.
3. Disconnect the power from the computer by first unplugging the power cord from the AC outlet and then unplugging the AC adapter from the computer.
4. Remove the battery (see [Battery on page 36](#)), and then remove the following components:
 - Memory module/wireless module compartment cover (see [WLAN module on page 45](#))
 - Hard drive (see [Hard drive on page 49](#))
 - Keyboard (see [Keyboard on page 54](#))

 **NOTE:** When replacing the top cover, be sure that the following components are removed from the defective top cover and installed on the replacement top cover:

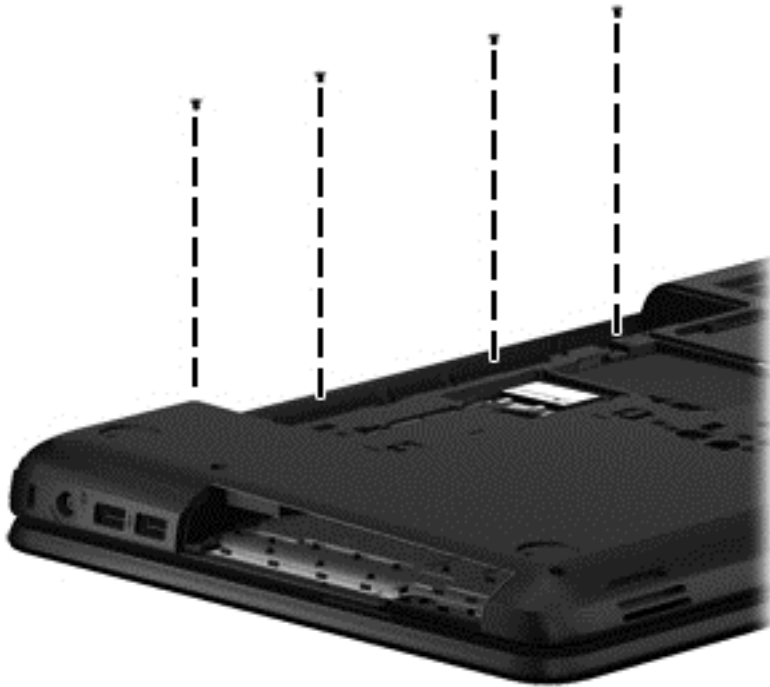
- Power button board and cable (see [Power button board on page 61](#))
- TouchPad button board and cables (see [TouchPad button board on page 63](#))

To remove the top cover:

1. Close the computer, and then turn the computer upside down with the front toward you.
2. Remove the eight Phillips PM2.5×6.0 screws that secure the top cover to the computer.



3. Remove the four Phillips PM2.0×2.5 screws that secure the top cover to the computer.

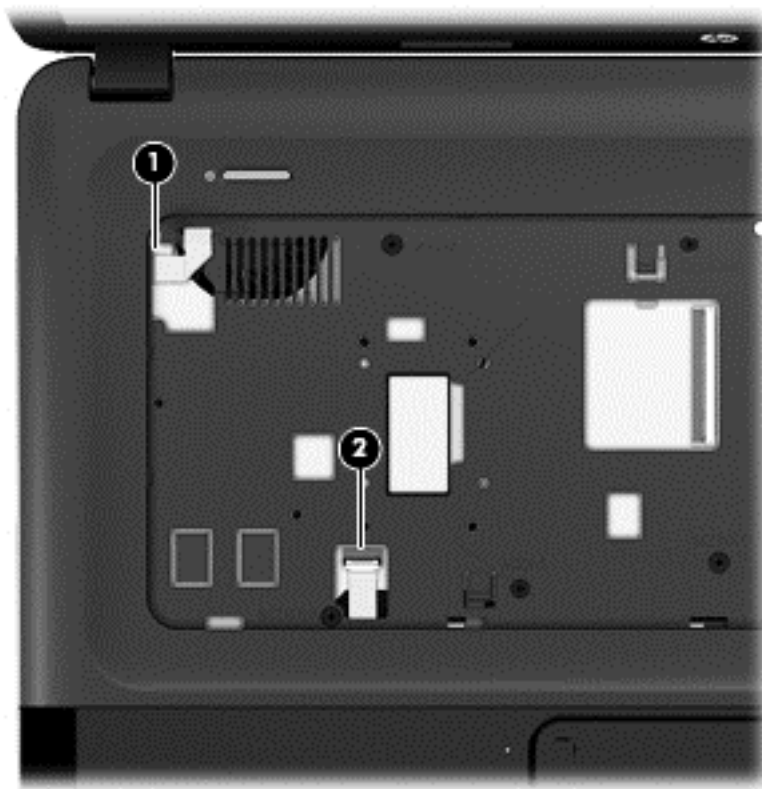


4. Remove the Phillips PM2.0×3.0 screw from the optical drive bay (1) and the three Phillips PM2.5×4.0 screws from the hard drive bay (2) that secure the top cover to the computer.

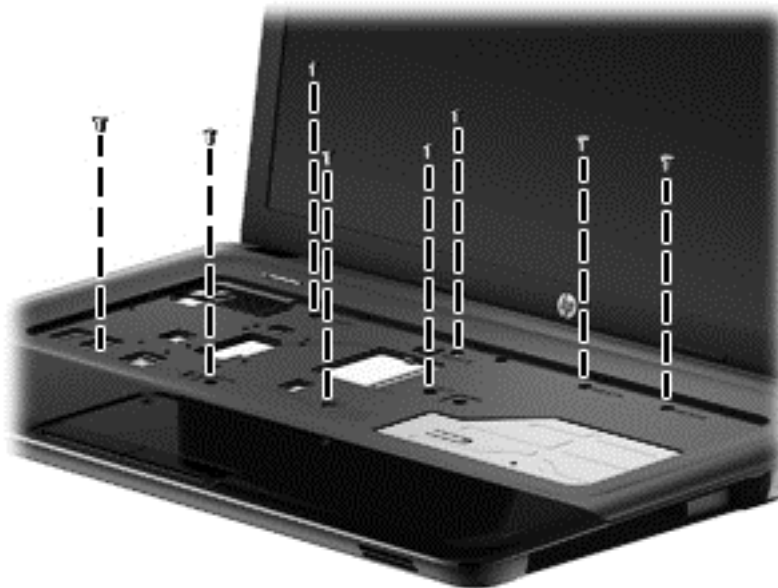


5. Turn the computer upright with the front toward you, and then open the computer.

6. Release the ZIF connectors to the power button board cable **(1)** and the TouchPad button board cable **(2)**, and then disconnect the cables from the system board.



7. Remove the eight Phillips PM2.0×4.0 screws that secure the top cover to the computer.



8. Lift the rear edge of the top cover **(1)** until the left and right sides disengage from the base enclosure.

9. Remove the top cover (2).



Reverse this procedure to install the top cover.

Power button board

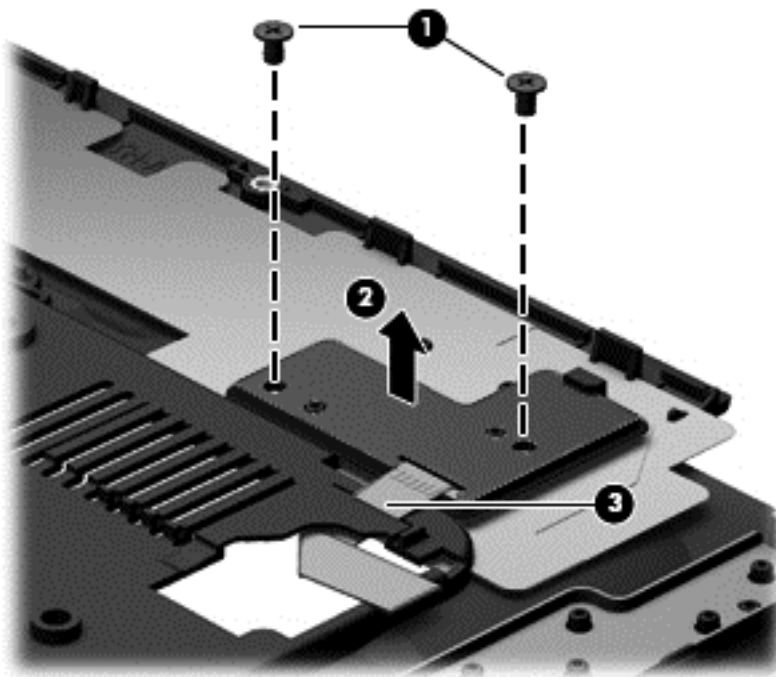
Description	Spare part number
Power button board (includes cable)	689686-001

Before removing the power button board, follow these steps:

1. Shut down the computer. If you are unsure whether the computer is off or in Hibernation, turn the computer on, and then shut it down through the operating system.
2. Disconnect all external devices connected to the computer.
3. Disconnect the power from the computer by first unplugging the power cord from the AC outlet and then unplugging the AC adapter from the computer.
4. Remove the battery (see [Battery on page 36](#)), and then remove the following components:
 - Memory module/wireless module compartment cover (see [WLAN module on page 45](#))
 - Hard drive (see [Hard drive on page 49](#))
 - Keyboard (see [Keyboard on page 54](#))
 - Top cover (see [Top cover on page 57](#))

To remove the power button board:

1. Position the top cover upright.
2. Remove the two Phillips PM2.0×3.0 screws **(1)** that secure the power button board to the top cover.
3. Remove the power button board **(2)** while pulling the cable through the hole in the top cover **(3)**.



Reverse this procedure to install the power button board and cable.

TouchPad button board

Description	Spare part number
TouchPad button board (includes bracket and cables)	689688-001

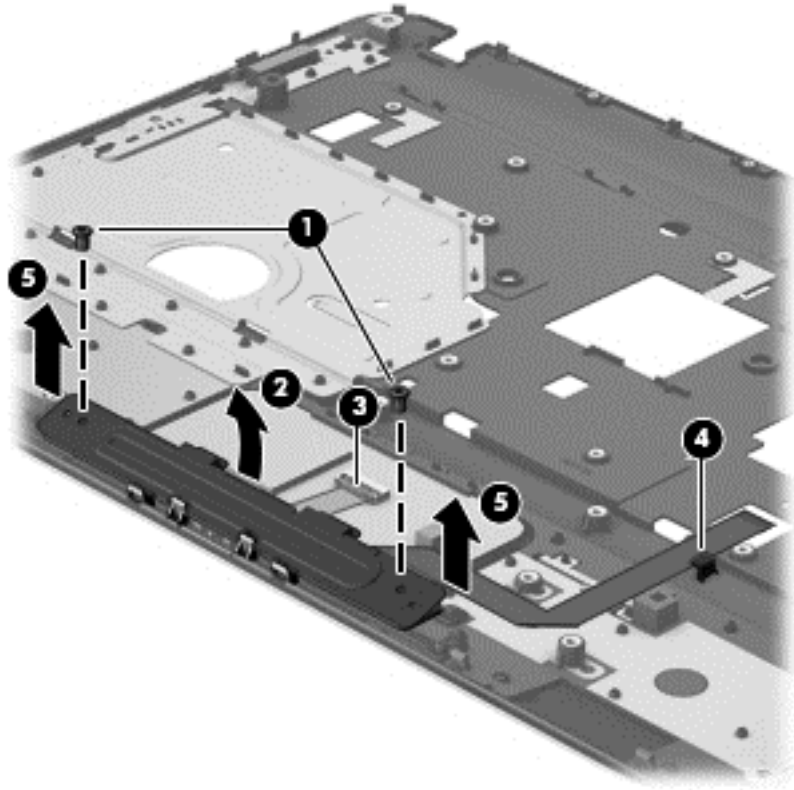
Before removing the TouchPad button board, follow these steps:

1. Shut down the computer. If you are unsure whether the computer is off or in Hibernation, turn the computer on, and then shut it down through the operating system.
2. Disconnect all external devices connected to the computer.
3. Disconnect the power from the computer by first unplugging the power cord from the AC outlet and then unplugging the AC adapter from the computer.
4. Remove the battery (see [Battery on page 36](#)), and then remove the following components:
 - Memory module/wireless module compartment cover (see [WLAN module on page 45](#))
 - Hard drive (see [Hard drive on page 49](#))
 - Keyboard (see [Keyboard on page 54](#))
 - Top cover (see [Top cover on page 57](#))

To remove the TouchPad button board:

1. Position the top cover upside down.
2. Remove the two Phillips PM2.0×3.0 screws **(1)** that secure the TouchPad button board and bracket to the top cover.
3. Remove the bracket **(2)**.
4. Release the ZIF connector to the TouchPad board cable **(3)**, and then disconnect the cable from the TouchPad board. (The TouchPad board is attached to the top cover and cannot be removed.)

5. Remove the TouchPad button board cable (4) from the opening in the top cover, and then remove the TouchPad button board (5).



Reverse this procedure to install the TouchPad button board.

Speakers

Description	Spare part number
Speakers (includes left and right speakers and cable)	689693-001

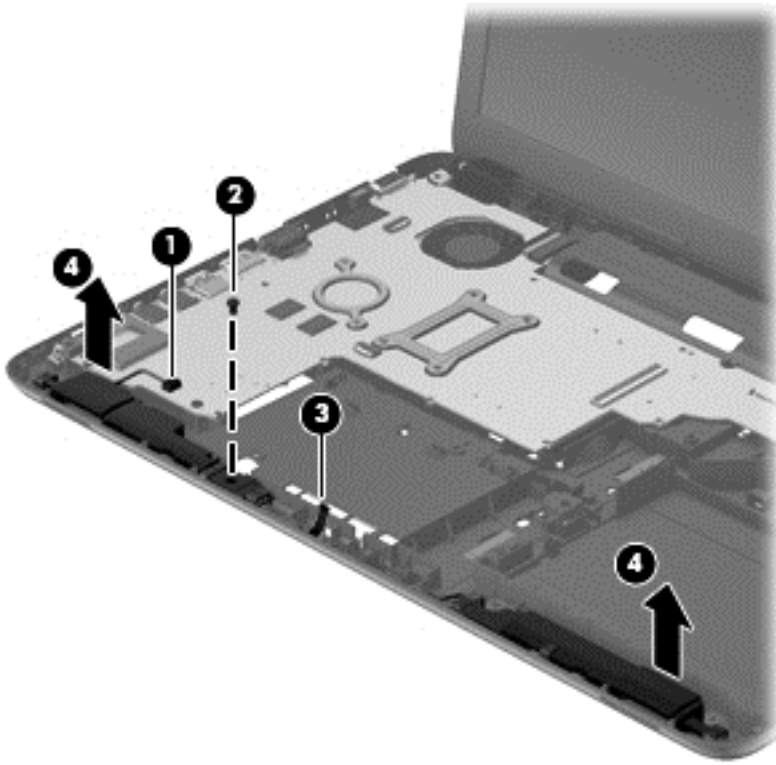
Before removing the speakers, follow these steps:

1. Shut down the computer. If you are unsure whether the computer is off or in Hibernation, turn the computer on, and then shut it down through the operating system.
2. Disconnect all external devices connected to the computer.
3. Disconnect the power from the computer by first unplugging the power cord from the AC outlet and then unplugging the AC adapter from the computer.
4. Remove the battery (see [Battery on page 36](#)), and then remove the following components:
 - Memory module/wireless module compartment cover (see [WLAN module on page 45](#))
 - Hard drive (see [Hard drive on page 49](#))
 - Keyboard (see [Keyboard on page 54](#))
 - Top cover (see [Top cover on page 57](#))

To remove the speakers:

1. Position the computer upright with the front toward you.
2. Disconnect the speaker cable **(1)** from the system board.
3. Remove the Phillips PM2.5×4.0 screw **(2)** that secures the speakers to the base enclosure.
4. Lift the tape **(3)** that secures the wire between the speakers.

5. Remove the speakers (4).



Reverse this procedure to install the speakers.

USB board

Description	Spare part number
USB board (includes cable)	689687-001

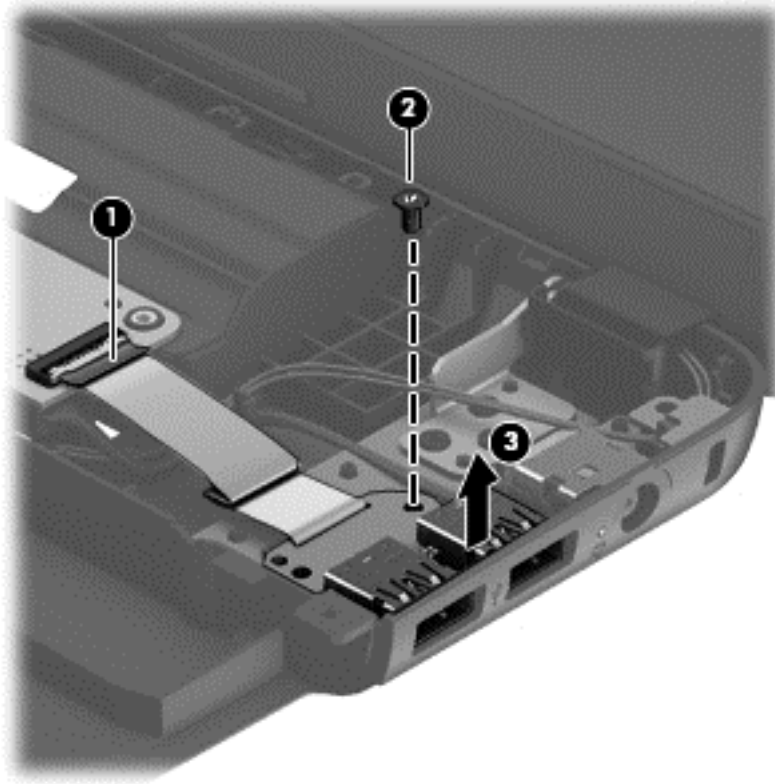
Before removing the USB board, follow these steps:

1. Shut down the computer. If you are unsure whether the computer is off or in Hibernation, turn the computer on, and then shut it down through the operating system.
2. Disconnect all external devices connected to the computer.
3. Disconnect the power from the computer by first unplugging the power cord from the AC outlet and then unplugging the AC adapter from the computer.
4. Remove the battery (see [Battery on page 36](#)), and then remove the following components:
 - Memory module/wireless module compartment cover (see [WLAN module on page 45](#))
 - Hard drive (see [Hard drive on page 49](#))
 - Keyboard (see [Keyboard on page 54](#))
 - Top cover (see [Top cover on page 57](#))

To remove the USB board:

1. Position the computer upright with the right side toward you.
2. Release the ZIF connector **(1)** that secures the USB board cable to the system board, and then disconnect the USB board cable.
3. Remove the Phillips PM2.5×5.0 screw **(2)** that secures the USB board to the base enclosure.

4. Remove the USB board **(3)**.



Reverse this procedure to install the USB board.

Power connector cable

Description	Spare part number
Power connector cable	689678-001

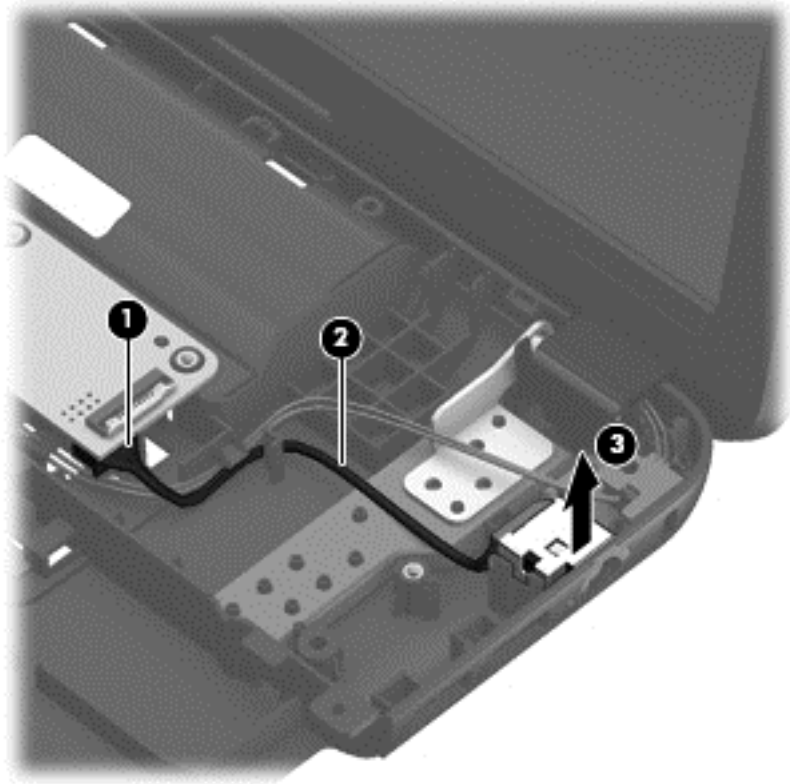
Before removing the power connector cable, follow these steps:

1. Shut down the computer. If you are unsure whether the computer is off or in Hibernation, turn the computer on, and then shut it down through the operating system.
2. Disconnect all external devices connected to the computer.
3. Disconnect the power from the computer by first unplugging the power cord from the AC outlet and then unplugging the AC adapter from the computer.
4. Remove the battery (see [Battery on page 36](#)), and then remove the following components:
 - Memory module/wireless module compartment cover (see [WLAN module on page 45](#))
 - Hard drive (see [Hard drive on page 49](#))
 - Keyboard (see [Keyboard on page 54](#))
 - Top cover (see [Top cover on page 57](#))

To remove the power connector cable:

1. Position the computer upright with the right side toward you.
2. Disconnect the power connector cable **(1)** from the system board.
3. Release the power connector cable from the clips **(2)** built into the base enclosure.

4. Remove the power connector cable **(3)**.



Reverse this procedure to install the power connector cable.

Display assembly

This section describes removing the display assembly in its entirety and disassembling all the display subcomponents.

If you only need to remove the display bezel, webcam/microphone module, or display panel, you do not need to remove the entire display assembly from the computer. See [Display subcomponents \(bezel, webcam, panel\) on page 37](#) for more information about removing the display subcomponents that do not require that you remove the entire display assembly from the computer.

Description	Spare part number
Antennas (includes wireless antenna cables and transceivers; also includes Mylar screw covers)	689670-001
NOTE: Models may have either one or two antennas installed.	
Display bezel (includes Mylar screw covers)	689675-001
Display cable (includes display panel cable and webcam/microphone cable; also includes Mylar screw covers)	689677-001
Display enclosure (includes Mylar screw covers)	720508-001
Hinges (include hinges and left and right hinge covers)	689679-001
Webcam/microphone module, HD	703461-001


Before removing the display assembly in its entirety, follow these steps:

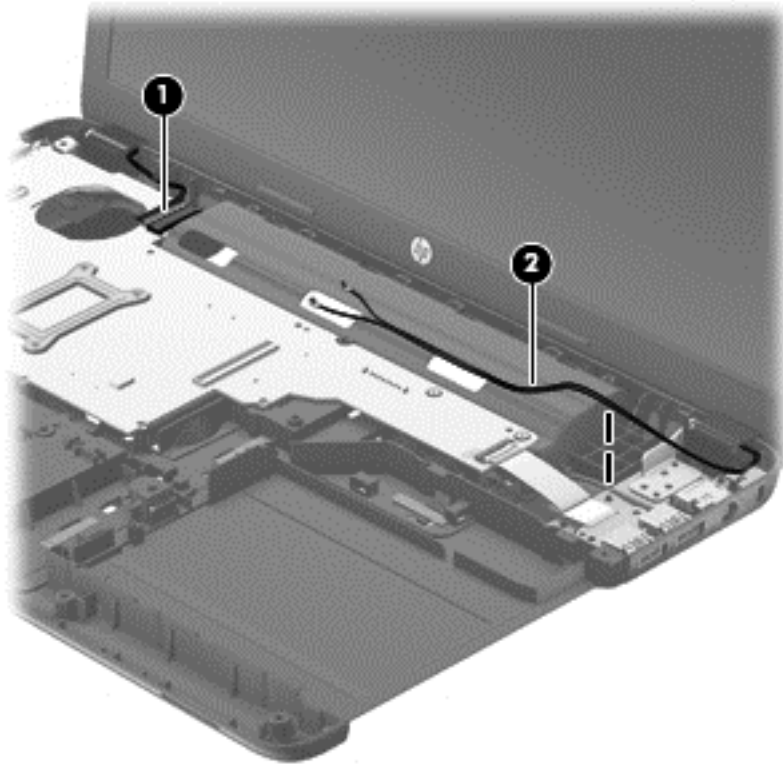
1. Shut down the computer. If you are unsure whether the computer is off or in Hibernation, turn the computer on, and then shut it down through the operating system.
2. Disconnect all external devices connected to the computer.
3. Disconnect the power from the computer by first unplugging the power cord from the AC outlet and then unplugging the AC adapter from the computer.
4. Remove the battery (see [Battery on page 36](#)).
5. Disconnect the WLAN module antenna cables from the WLAN module (see [WLAN module on page 45](#)).
6. Remove the following components:
 - Hard drive (see [Hard drive on page 49](#))
 - Keyboard (see [Keyboard on page 54](#))
 - Top cover (see [Top cover on page 57](#))
 - USB board (see [USB board on page 67](#))
 - Power connector cable (see [Power connector cable on page 69](#))


To remove the display assembly in its entirety:

1. Disconnect the display panel cable **(1)** from the system board.

2. Release the wireless antenna cables from the clips **(2)** built into the base enclosure.


 **NOTE:** Models may have either one or two antennas installed.

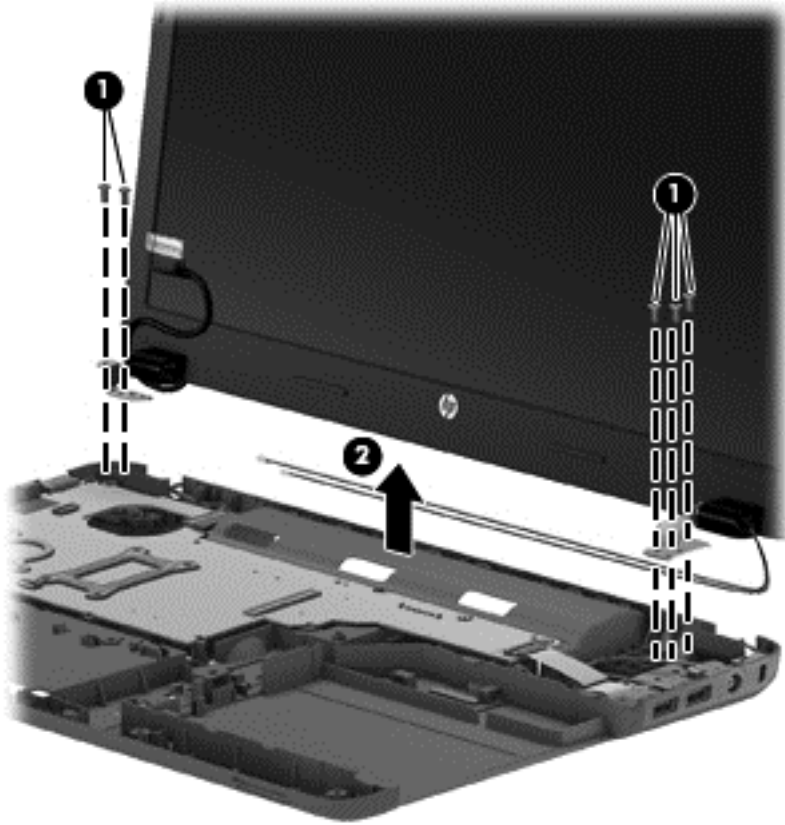


 **CAUTION:** Support the display assembly when removing the following screws. Failure to support the display assembly can result in damage to the display assembly and other computer components.

3. Remove the five Phillips PM2.5×7.0 screws **(1)** that secure the display assembly to the computer.

4. Remove the display assembly (2).

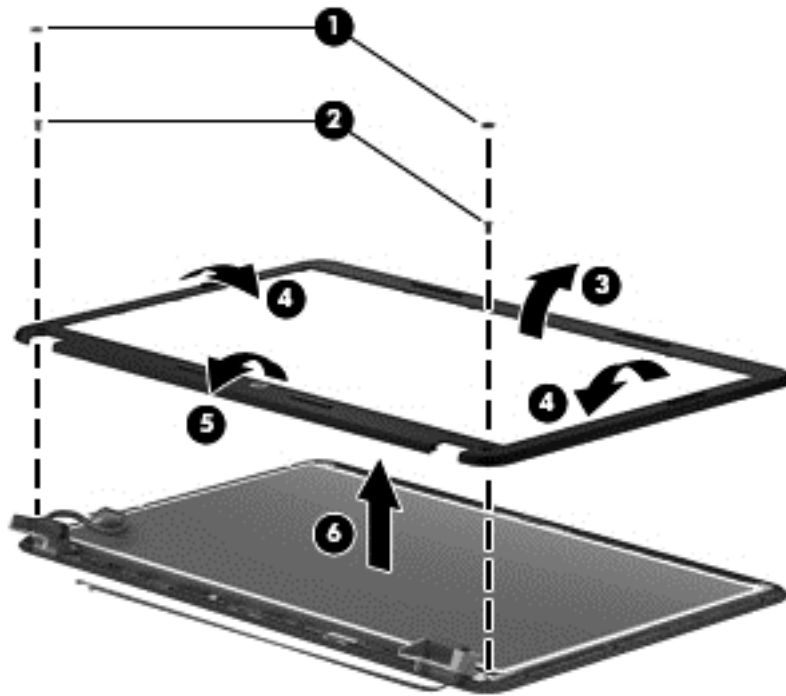
 **NOTE:** Models may have either one or two antennas installed.



If it is necessary to replace any of the display assembly subcomponents:

- 1.** To remove the display bezel:
 - a.** Remove the two Mylar screw covers **(1)** and the two Phillips PM2.5×4.0 screws **(2)** that secure the display bezel to the display assembly. The Mylar screw covers are included with the display bezel spare part kit.
 - b.** Flex the inside edges of the top edge **(3)**, the left and right edges **(4)**, and the bottom edge **(5)** of the display bezel until the bezel disengages from the display enclosure.

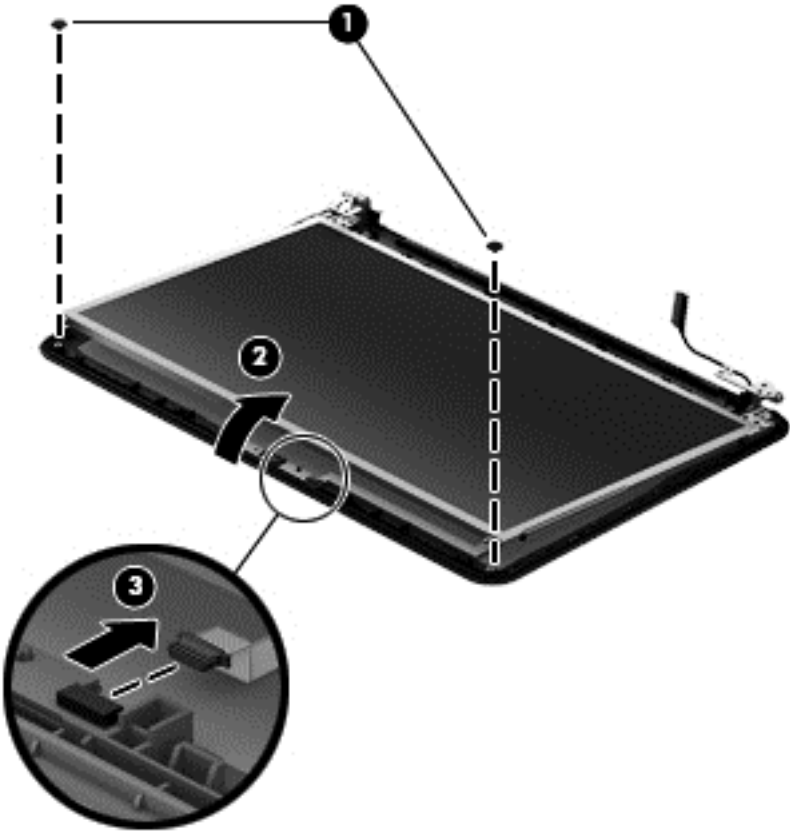
- c. Remove the display bezel (6).



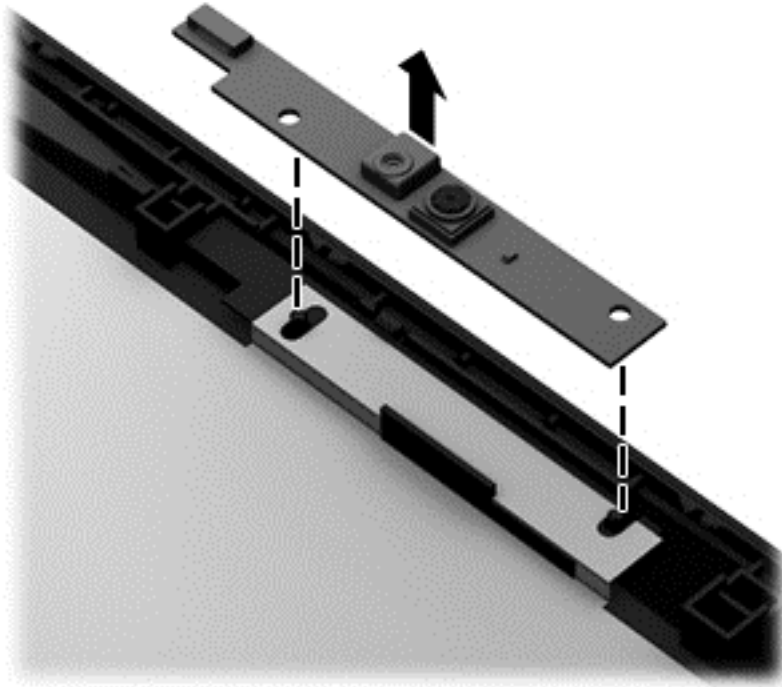
2. To remove the webcam/microphone module:

- a. Remove the two broadhead Phillips PM2.5×2.5 screws (1) that secure the display panel to the enclosure.
- b. Tilt the display panel (2) up.

c. Disconnect the module cable (3) from the module.

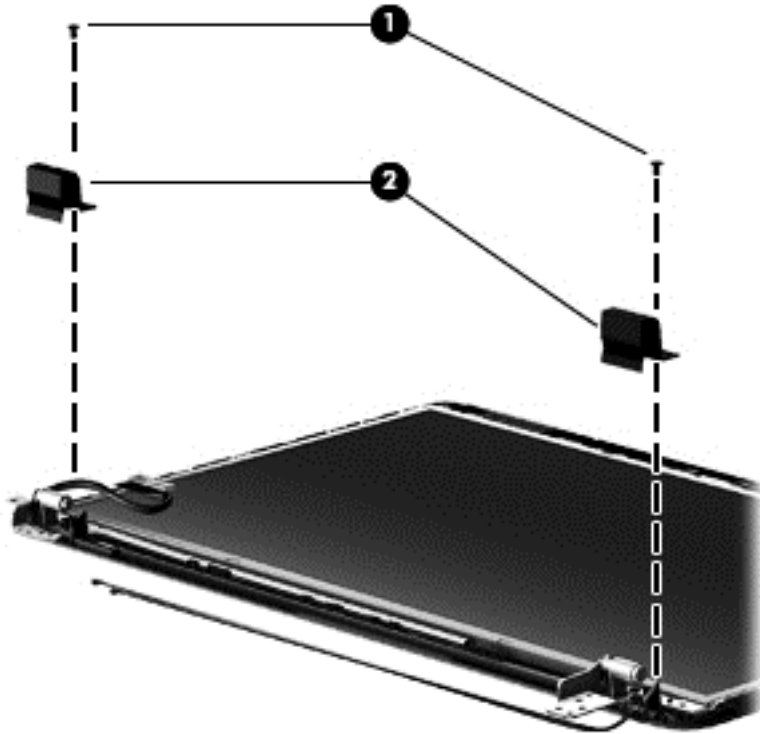


- d. Remove the webcam/microphone module. (The module is attached to the display enclosure with double-sided tape.)

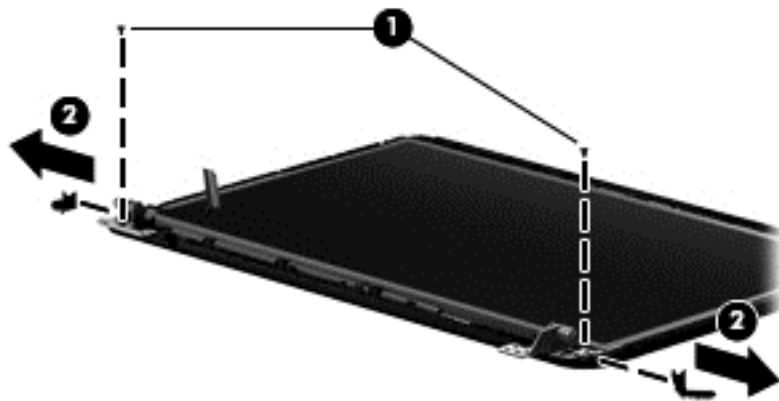


3. To remove the hinge covers:

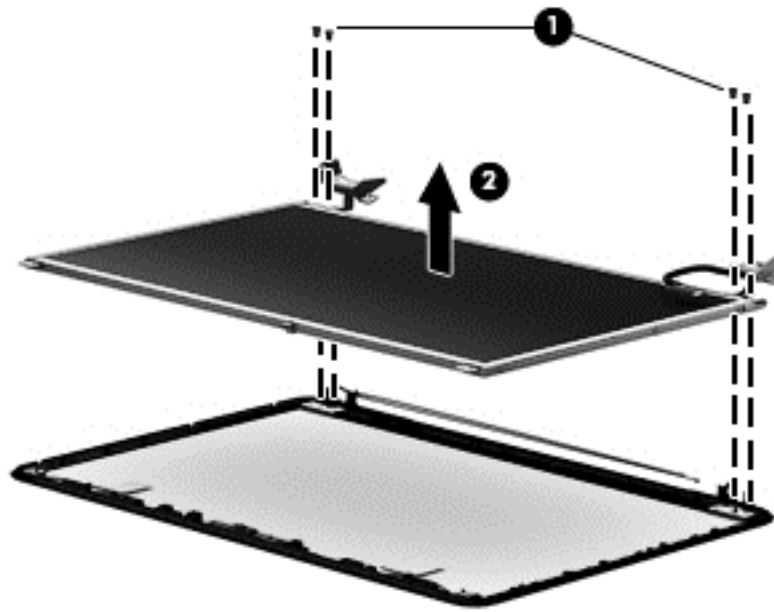
- a.** Remove the two Phillips PM2.5×4.0 screws **(1)** that secure the top hinge covers to the display enclosure, and then remove the top hinge covers **(2)**.



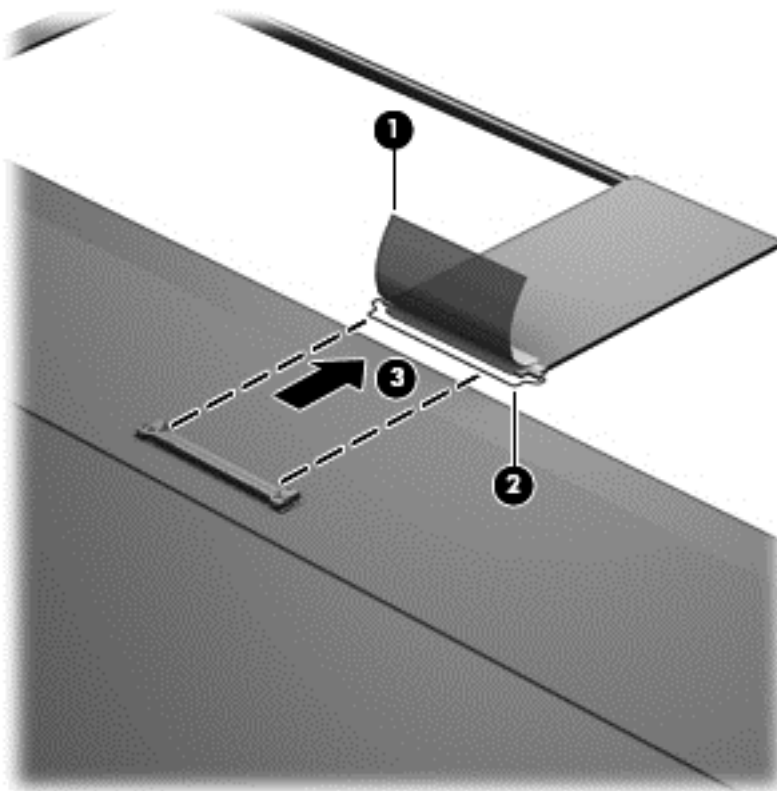
- b.** Remove the two Phillips PM2.0×3.0 screws **(1)** that secure the side hinge covers to the display enclosure, and then remove the side hinge covers **(2)**.



4. To remove the display panel, cable, and hinges:
- Remove the four Phillips PM2.5×4.0 screws (1) that secure the display panel to the enclosure, and then remove the display panel (2) from the enclosure.

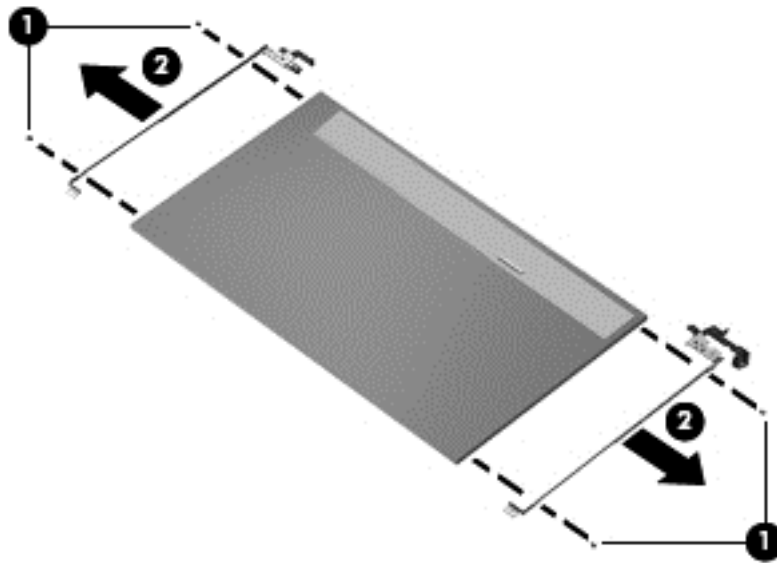


- On the back of the display panel, release the adhesive strip (1) that secures the display panel cable to the display panel, and then disconnect (2) and remove (3) the cable.




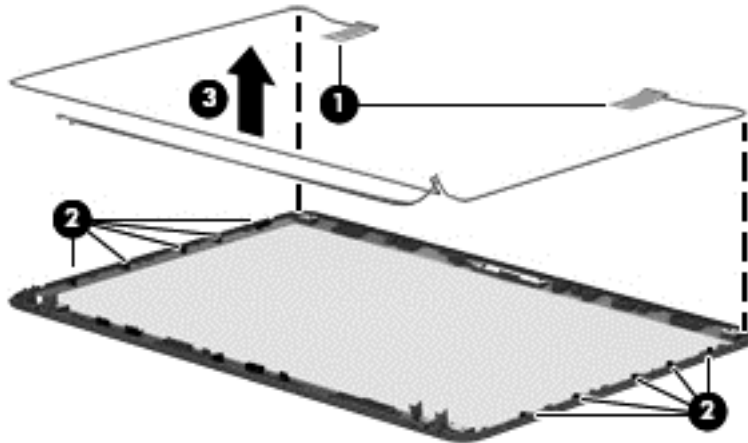
- Remove the four Phillips PM2.0×3.0 screws (1) that secure the display hinges to the display panel.

- d. Remove the display hinges (2).



5. To remove the wireless antenna cables and transceivers:
- Release the wireless antenna transceivers (1) from the display enclosure. (The wireless antenna transceivers are attached to the display enclosure with double-sided tape.)
 - Release the wireless antenna cables from the clips (2) built into the display enclosure.
 - Remove the wireless antenna cables and transceivers (3).

 **NOTE:** Models may have either one or two antennas and transceivers installed.



6. If replacing the display enclosure, be sure that the other subcomponents (including the webcam/microphone module, the antenna receivers, and all associated cables and hardware) are transferred to the new enclosure.

Reverse this procedure to reassemble and install the display assembly.

System board



NOTE: The system board spare part kit includes replacement thermal materials (including a thermal pad).

Description	Spare part number
System board for use only with computer models equipped with an AMD A6-5200 processor	
<ul style="list-style-type: none">For use in models without Windows 8	730670-001
<ul style="list-style-type: none">For use in models with Windows 8 Standard	730670-501
<ul style="list-style-type: none">For use in models with Windows 8 Professional	730670-601
System board for use only with computer models equipped with an AMD A4-5000 processor	
<ul style="list-style-type: none">For use in models without Windows 8	730671-001
<ul style="list-style-type: none">For use in models with Windows 8 Standard	730671-501
<ul style="list-style-type: none">For use in models with Windows 8 Professional	730671-601
System board for use only with computer models equipped with an AMD E2-3450 processor	
<ul style="list-style-type: none">For use in models without Windows 8	720632-001
<ul style="list-style-type: none">For use in models with Windows 8 Standard	720632-501
<ul style="list-style-type: none">For use in models with Windows 8 Professional	720632-601
System board for use only with computer models equipped with an AMD E2-2000 processor	
<ul style="list-style-type: none">For use in models without Windows 8	720634-001
<ul style="list-style-type: none">For use in models with Windows 8 Standard	720634-501
<ul style="list-style-type: none">For use in models with Windows 8 Professional	720634-601
System board for use only with computer models equipped with an AMD E2-1800 processor	
<ul style="list-style-type: none">For use in models without Windows 8	688853-001
<ul style="list-style-type: none">For use in models with Windows 8 Standard	688853-501
<ul style="list-style-type: none">For use in models with Windows 8 Professional	688853-601
System board for use only with computer models equipped with an AMD E1-3310 processor	
<ul style="list-style-type: none">For use in models without Windows 8	720633-001
<ul style="list-style-type: none">For use in models with Windows 8 Standard	720633-501
<ul style="list-style-type: none">For use in models with Windows 8 Professional	720633-601
System board for use only with computer models equipped with an AMD E1-1500 processor	
<ul style="list-style-type: none">For use in models without Windows 8	720635-001
<ul style="list-style-type: none">For use in models with Windows 8 Standard	720635-501
<ul style="list-style-type: none">For use in models with Windows 8 Professional	720635-601
System board for use only with computer models equipped with an AMD E1-1200 processor	
<ul style="list-style-type: none">For use in models without Windows 8	688852-001
<ul style="list-style-type: none">For use in models with Windows 8 Standard	688852-501

Description	Spare part number
<ul style="list-style-type: none"> For use in models with Windows 8 Professional 	688852-601
System board for use only with computer models equipped with an Intel HM75 chipset that include an Intel Core i5 or i3 processor	
<ul style="list-style-type: none"> For use in models without Windows 8 	685761-001
<ul style="list-style-type: none"> For use in models with Windows 8 Standard 	685761-501
<ul style="list-style-type: none"> For use in models with Windows 8 Professional 	685761-601
System board for use only with computer models equipped with an Intel HM70 chipset that include an Intel Pentium or Celeron processor	
<ul style="list-style-type: none"> For use in models without Windows 8 	685768-001
<ul style="list-style-type: none"> For use in models with Windows 8 Standard 	685768-501
<ul style="list-style-type: none"> For use in models with Windows 8 Professional 	685768-601
Thermal pad (for use with all models)	651046-001

Before removing the system board, follow these steps:


1. Shut down the computer. If you are unsure whether the computer is off or in Hibernation, turn the computer on, and then shut it down through the operating system.
2. Disconnect all external devices connected to the computer.
3. Disconnect the power from the computer by first unplugging the power cord from the AC outlet and then unplugging the AC adapter from the computer.
4. Remove the battery (see [Battery on page 36](#)).
5. Remove the following components:
 - WLAN module (see [WLAN module on page 45](#))
 - Hard drive (see [Hard drive on page 49](#))
 - Keyboard (see [Keyboard on page 54](#))
 - Top cover (see [Top cover on page 57](#))
 - Speakers (see [Speakers on page 65](#))
 - USB board (see [USB board on page 67](#))
 - Power connector cable (see [Power connector cable on page 69](#))
 - Display assembly (see [Display assembly on page 71](#))
6. Disconnect the display cable from the system board (see [Display assembly on page 71](#)).



NOTE: When replacing the system board, be sure that the following components are removed from the defective system board and installed on the replacement system board:

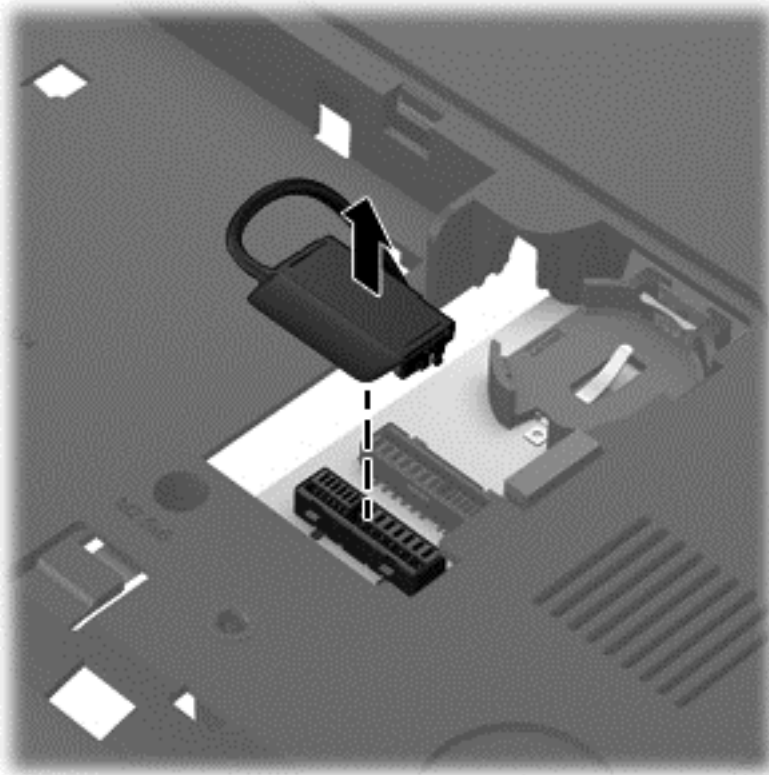
- Memory module (see [Memory module on page 47](#))
- RTC battery (see [RTC battery on page 51](#))

- Fan/heat sink assembly (see [Fan/heat sink assembly on page 86](#))
- Processor (Intel only; see [Processor on page 90](#))

 **NOTE:** AMD processors come soldered to the system board and cannot be removed or replaced.

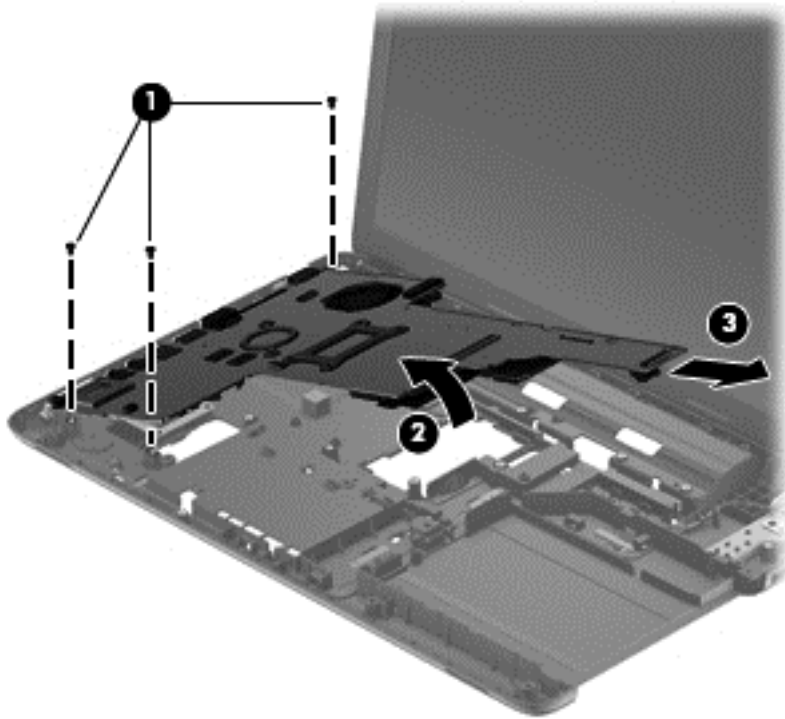
To remove the system board:


1. Close the computer, turn it upside down, and then disconnect the optical drive connector cable from the system board.



2. Turn the computer back over, open it, and then remove the three Phillips PM2.5×4.0 screws **(1)** that secure the system board to the base enclosure.

3. Tilt the system board up to the left slightly (2), and then remove the system board (3).



 **NOTE:** A thermal pad services a component on the bottom of the system board. Replacement thermal material is included with all system board spare part kits.

Reverse this procedure to install the system board.

Optical drive cable

Description	Spare part number
Optical drive cable (includes cable bracket)	685084-001

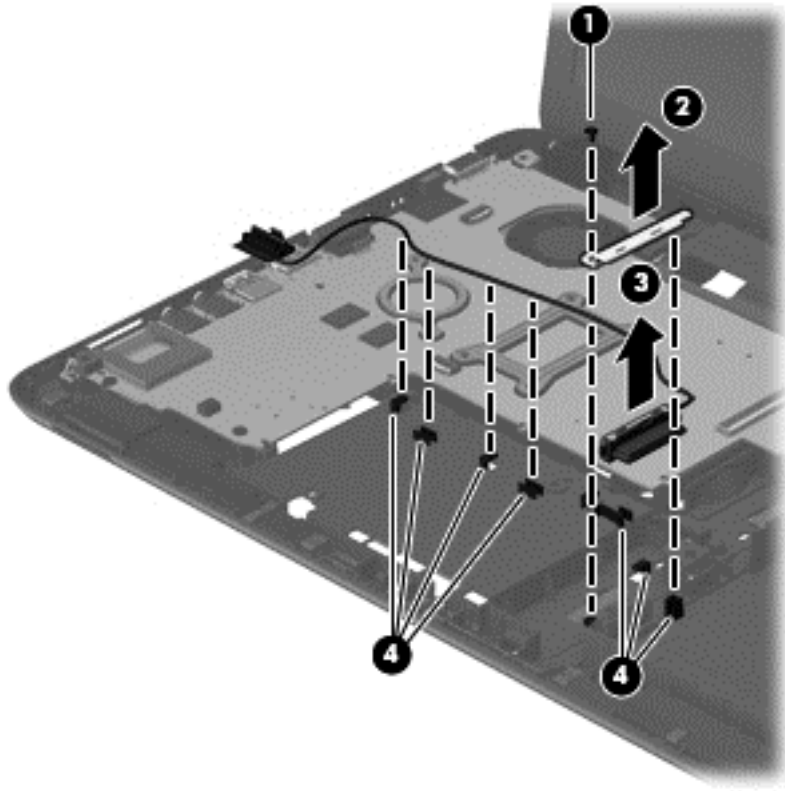
Before removing the optical drive cable, follow these steps:

1. Shut down the computer. If you are unsure whether the computer is off or in Hibernation, turn the computer on, and then shut it down through the operating system.
2. Disconnect all external devices connected to the computer.
3. Disconnect the power from the computer by first unplugging the power cord from the AC outlet and then unplugging the AC adapter from the computer.
4. Remove the battery (see [Battery on page 36](#)), and then remove the following components:
 - WLAN module (see [WLAN module on page 45](#))
 - Hard drive (see [Hard drive on page 49](#))
 - Keyboard (see [Keyboard on page 54](#))
 - Top cover (see [Top cover on page 57](#))
 - Speakers (see [Speakers on page 65](#))
 - USB board (see [USB board on page 67](#))
 - Power connector cable (see [Power connector cable on page 69](#))
 - Display assembly (see [Display assembly on page 71](#))
 - System board (see [System board on page 80](#))

Remove the optical drive cable:


1. Remove the Phillips PM2.0×3.0 screw **(1)** that secures the optical drive cable and cable bracket to the base enclosure.
2. Remove the cable bracket **(2)** and cable **(3)**.

3. Release the optical drive cable from the clips **(4)** built into the base enclosure.




Reverse this procedure to install the optical drive cable.

Fan/heat sink assembly

 **NOTE:** The fan/heat sink assembly spare part kit includes replacement thermal materials.

Description	Spare part number
Fan/heat sink assembly for use only with computer models equipped with an AMD processor	688281-001
Fan/heat sink assembly for use only with computer models equipped with an Intel processor	685086-001


 **NOTE:** To properly ventilate the computer, allow at least **7.6 cm** (3.0 in) of clearance on the left side of the computer. The computer uses an electric fan for ventilation. The fan is controlled by a temperature sensor and is designed to turn on automatically when high temperature conditions exist. These conditions are affected by high external temperatures, system power consumption, power management/battery conservation configurations, battery fast charging, and software requirements. Exhaust air is displaced through the ventilation grill located on the left side of the computer.

Before removing the fan/heat sink assembly, follow these steps:


1. Shut down the computer. If you are unsure whether the computer is off or in Hibernation, turn the computer on, and then shut it down through the operating system.
2. Disconnect all external devices connected to the computer.
3. Disconnect the power from the computer by first unplugging the power cord from the AC outlet and then unplugging the AC adapter from the computer.
4. Remove the battery (see [Battery on page 36](#)), and then remove the following components:
 - WLAN module (see [WLAN module on page 45](#))
 - Hard drive (see [Hard drive on page 49](#))
 - Keyboard (see [Keyboard on page 54](#))
 - Top cover (see [Top cover on page 57](#))
 - Speakers (see [Speakers on page 65](#))
 - USB board (see [USB board on page 67](#))
 - Power connector cable (see [Power connector cable on page 69](#))
 - Display assembly (see [Display assembly on page 71](#))
 - System board (see [System board on page 80](#))


To remove the fan/heat sink assembly:

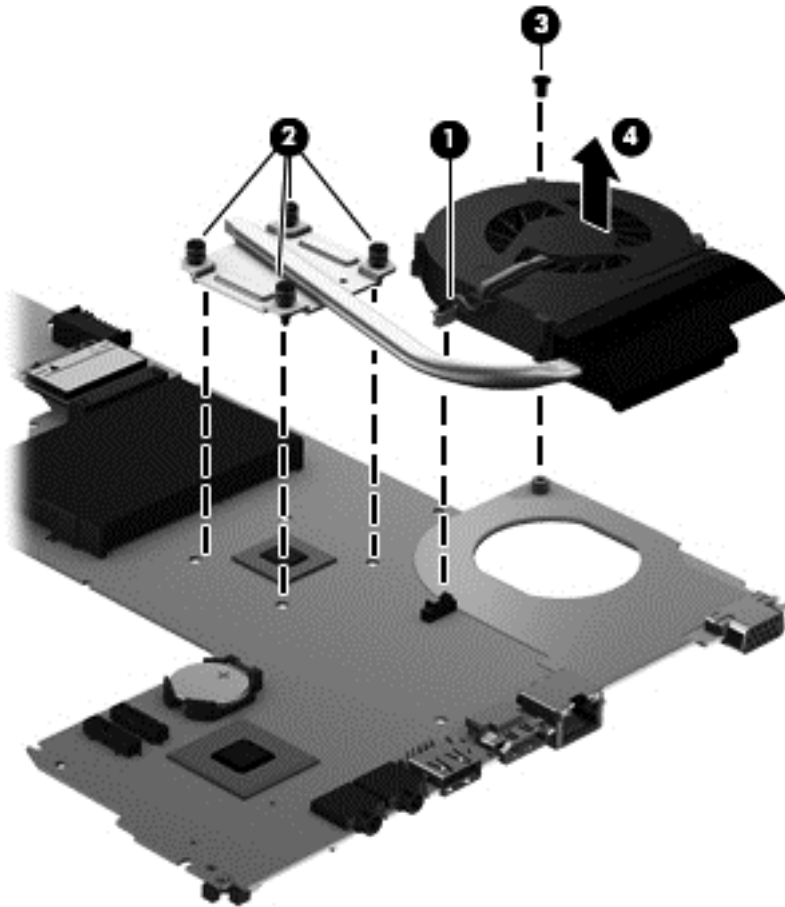
1. Disconnect the fan cable **(1)** from the system board.
2. Loosen the captive screws on the heat sink **(2)** that secure the assembly to the system board.


 **NOTE:** The number of screws used to secure the fan/heat sink assembly to the system board varies by computer model.

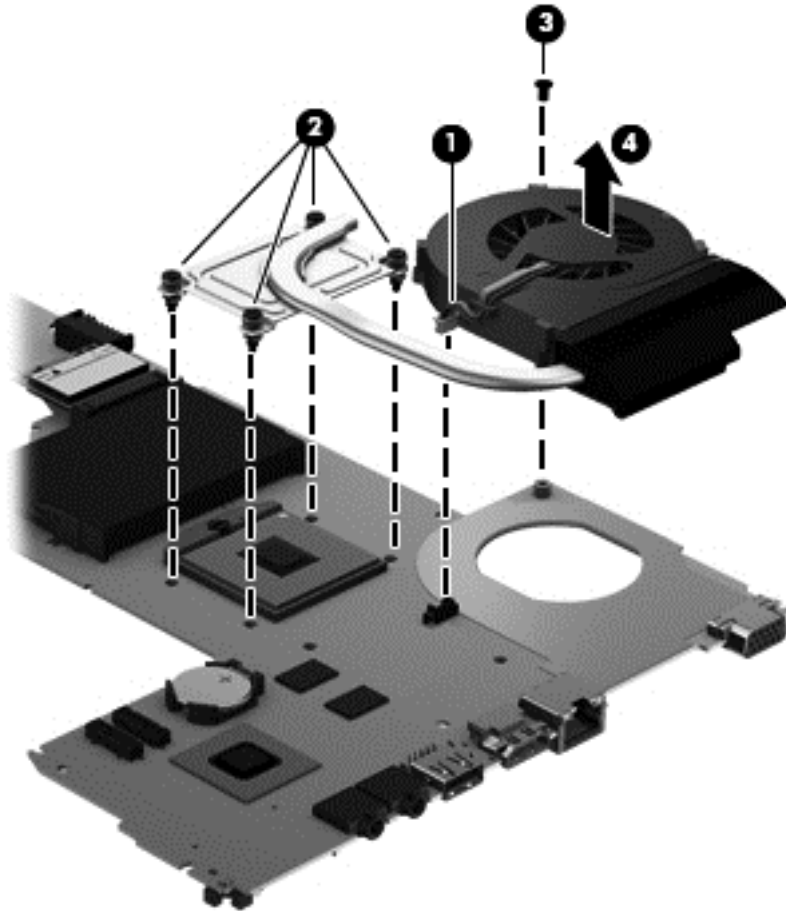
3. Remove the Phillips PM2.0×3.0 screw **(3)** that secures the fan to the system board.
4. Remove the fan/heat sink assembly **(4)**.

 **NOTE:** Due to the adhesive quality of the thermal material located between the heat sink and system board components, it may be necessary to move the heat sink from side to side to detach it.


 **NOTE:** The following illustration shows the fan/heat sink assembly removal process on a computer model equipped with an AMD processor.

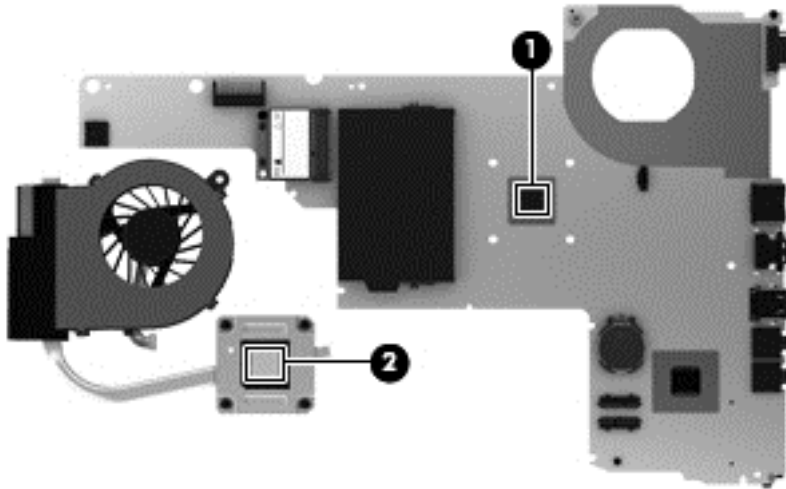


 **NOTE:** The following illustration shows the fan/heat sink assembly removal process on a computer model equipped with an Intel processor.




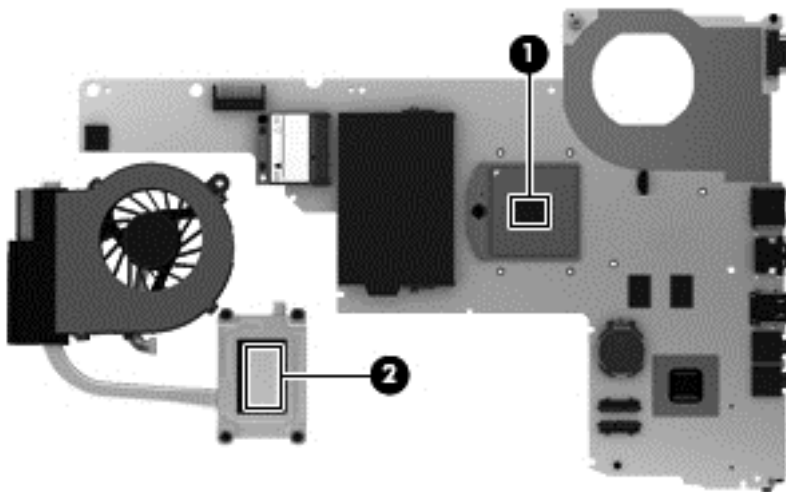
The thermal material must be thoroughly cleaned from the surfaces of the heat sink and the system board components each time the heat sink is removed. Replacement thermal materials are included with the fan/heat sink assembly, processor, and system board spare part kits.

 **NOTE:** The following illustration shows the replacement thermal material locations on a computer model equipped with an AMD processor.



- Thermal paste is used on the processor **(1)** and the heat sink section **(2)** that services it
- Thermal paste is used on the processor **(1)** and the heat sink section **(2)** that services it
- Thermal paste is used on the graphics subsystem chip **(3)** and the heat sink section **(4)** that services it


 **NOTE:** The following illustration shows the replacement thermal material locations on a computer model equipped with an Intel processor.




- Thermal paste is used on the processor **(1)** and the heat sink section **(2)** that services it

Reverse this procedure to reassemble and install the fan/heat sink assembly.

Processor

 **NOTE:** This section applies only to computer models equipped with an Intel processor. AMD processors come soldered to the system board and cannot be removed or replaced.

 **NOTE:** The processor spare part kit includes replacement thermal materials.

Description	Spare part number
Intel Core i5 processors:	
3230M 2.60-GHz processor (3.0-MB L3 cache, dual core, 35 W)	711903-001
3210M 2.50-GHz processor (3.0-MB L3 cache, dual core, 35 W)	680645-001
Intel Core i3 processors:	
3130M 2.60-GHz processor (3.0-MB L3 cache, dual core, 35 W)	713163-001
3120M 2.50-GHz processor (3.0-MB L3 cache, dual core, 35 W)	700627-001
3110M 2.40-GHz processor (3.0-MB L3 cache, dual core, 35 W)	682417-001
2348M 2.30-GHz processor (3.0-MB L3 cache, dual core, 35 W)	713165-001
2328M 2.20-GHz processor (3.0-MB L3 cache, dual core, 35 W)	693542-001
Intel Pentium processors:	
2030M 2.50-GHz processor (2.0-MB L3 cache, dual core, 35 W)	713164-001
2020M 2.40-GHz processor (2.0-MB L3 cache, dual core, 35 W)	700628-001
B980 2.40-GHz processor (2.0-MB L3 cache, dual core, 35 W)	692428-001
B970 2.30-GHz processor (2.0-MB L3 cache, dual core, 35 W)	676785-001
B960 2.20-GHz processor (2.0-MB L3 cache, dual core, 35 W)	664662-001
Intel Celeron processors:	
1000M 1.8-GHz processor (2.0-MB L3 cache, dual core, 35 W)	713162-001
B830 1.8-GHz processor (2.0-MB L3 cache, dual core, 35 W)	699547-001


Before removing the processor, follow these steps:

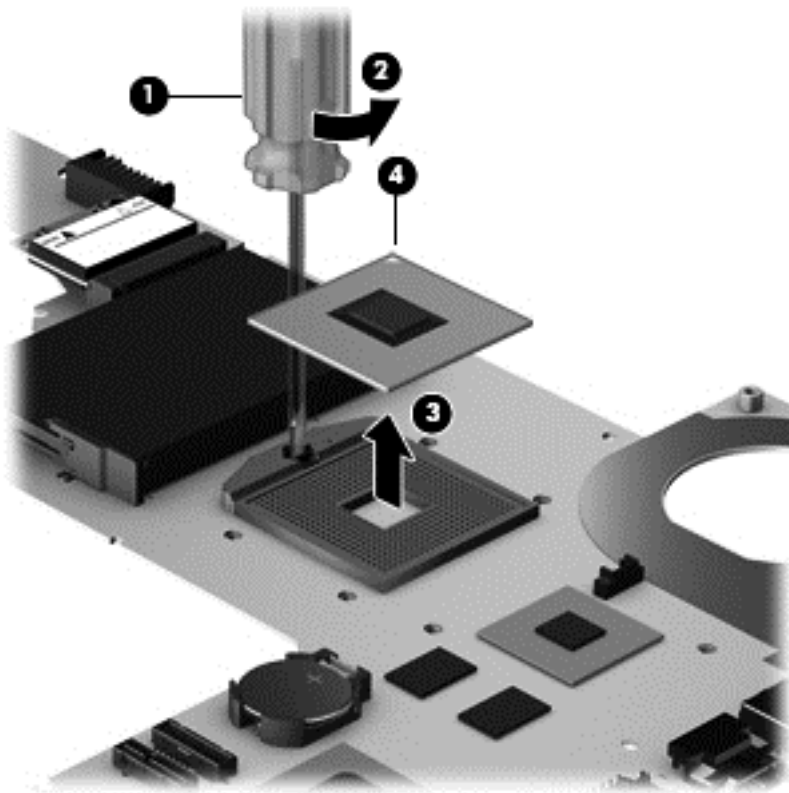
1. Shut down the computer. If you are unsure whether the computer is off or in Hibernation, turn the computer on, and then shut it down through the operating system.
2. Disconnect all external devices connected to the computer.
3. Disconnect the power from the computer by first unplugging the power cord from the AC outlet and then unplugging the AC adapter from the computer.
4. Remove the battery (see [Battery on page 36](#)), and then remove the following components:
 - WLAN module (see [WLAN module on page 45](#))
 - Hard drive (see [Hard drive on page 49](#))
 - Keyboard (see [Keyboard on page 54](#))

- Top cover (see [Top cover on page 57](#))
- Speakers (see [Speakers on page 65](#))
- USB board (see [USB board on page 67](#))
- Power connector cable (see [Power connector cable on page 69](#))
- Display assembly (see [Display assembly on page 71](#))
- System board (see [System board on page 80](#))
- Fan/heat sink assembly (see [Fan/heat sink assembly on page 86](#))

To remove the processor:

1. Use a flat-bladed screw driver **(1)** to turn the processor locking screw one-half turn counterclockwise **(2)** until you hear a click.
2. Lift the processor **(3)** straight up, and then remove it.

 **NOTE:** The gold triangle **(4)** on the processor must be aligned with the triangle icon embossed on the processor socket when you install the processor.



Reverse this procedure to install the processor.

5 Using Setup Utility (BIOS) and System Diagnostics

Setup Utility, or Basic Input/Output System (BIOS), controls communication between all the input and output devices on the system (such as disk drives, display, keyboard, mouse, and printer). Setup Utility (BIOS) includes settings for the types of devices installed, the startup sequence of the computer, and the amount of system and extended memory.

Starting Setup Utility (BIOS)

To start Setup Utility (BIOS), turn on or restart the computer, quickly press **esc**, and then press **f10**.

Information about how to navigate in Setup Utility (BIOS) is located at the bottom of the screen.



NOTE: Use extreme care when making changes in Setup Utility (BIOS). Errors can prevent the computer from operating properly.

Updating the BIOS

Updated versions of the BIOS may be available on the HP website.

Most BIOS updates on the HP website are packaged in compressed files called *SoftPaqs*.

Some download packages contain a file named *Readme.txt*, which contains information regarding installing and troubleshooting the file.


Determining the BIOS version

To determine whether available BIOS updates contain later BIOS versions than those currently installed on the computer, you need to know the version of the system BIOS currently installed.

BIOS version information (also known as *ROM date* and *System BIOS*) can be revealed by pressing **fn+esc** (if you are already in Windows) or by using Setup Utility (BIOS).

1. Start Setup Utility (BIOS) (see [Starting Setup Utility \(BIOS\) on page 93](#)).
2. Use the arrow keys to select **Main**.
3. To exit Setup Utility (BIOS) without saving your changes, use the arrow keys to select **Exit**, select **Exit Discarding Changes**, and then press **enter**.

Downloading a BIOS update

 **CAUTION:** To reduce the risk of damage to the computer or an unsuccessful installation, download and install a BIOS update only when the computer is connected to reliable external power using the AC adapter. Do not download or install a BIOS update while the computer is running on battery power, docked in an optional docking device, or connected to an optional power source. During the download and installation, follow these instructions:


Do not disconnect power from the computer by unplugging the power cord from the AC outlet.

Do not shut down the computer or initiate Sleep.

Do not insert, remove, connect, or disconnect any device, cable, or cord.

1. From the Start screen, select the **HP Support Assistant** app.
2. Click **Updates and tune-ups**, and then click **Check for HP updates now**.
3. Follow the on-screen instructions.
4. At the download area, follow these steps:
 - a. Identify the most recent BIOS update and compare it to the BIOS version currently installed on your computer. If the update is more recent than your BIOS, make a note of the date, name, or other identifier. You may need this information to locate the update later, after it has been downloaded to your hard drive.
 - b. Follow the on-screen instructions to download your selection to the hard drive.


If the update is more recent than your BIOS, make a note of the path to the location on your hard drive where the BIOS update is downloaded. You will need to access this path when you are ready to install the update.

 **NOTE:** If you connect your computer to a network, consult the network administrator before installing any software updates, especially system BIOS updates.

BIOS installation procedures vary. Follow any instructions that are revealed on the screen after the download is complete. If no instructions are revealed, follow these steps:

1. From the Start screen, type **e**, and then select **File Explorer**.
2. Click your hard drive designation. The hard drive designation is typically Local Disk (C:).
3. Using the hard drive path you recorded earlier, open the folder on your hard drive that contains the update.
4. Double-click the file that has an .exe extension (for example, *filename.exe*).

The BIOS installation begins.
5. Complete the installation by following the on-screen instructions.

 **NOTE:** After a message on the screen reports a successful installation, you can delete the downloaded file from your hard drive.

Using System Diagnostics

System Diagnostics allows you to run diagnostic tests to determine if the computer hardware is functioning properly.

To start System Diagnostics:

1. Turn on or restart the computer, quickly press **esc**, and then press **f2**.
2. Click the diagnostic test you want to run, and then follow the on-screen instructions.



NOTE: If you need to stop a diagnostic test while it is running, press **esc**.

6 Specifications

Computer specifications

	Metric	U.S.
Dimensions		
Depth	23.1 cm	9.09 in
Width	34.2 cm	13.46 in
Height (front to back)	3.00 to 3.55 cm	1.18 to 1.40 in
Weight		
	2.19 kg	4.84 lb
Input power		
Operating voltage and current	18.5 V dc @ 3.5 A or 19.5 V dc @ 3.33 A – 65 W	
	19 V dc @ 4.74 A or 19.5 V dc @ 4.62 A – 90 W	
Temperature		
Operating	5°C to 35°C	41°F to 95°F
Nonoperating	-20°C to 60°C	-4°F to 140°F
Relative humidity (noncondensing)		
Operating	10% to 90%	
Nonoperating	5% to 95%	
Maximum altitude (unpressurized)		
Operating	-15 m to 3,048 m	-50 ft to 10,000 ft
Nonoperating	-15 m to 12,192 m	-50 ft to 40,000 ft
NOTE: Applicable product safety standards specify thermal limits for plastic surfaces. The device operates well within this range of temperatures.		

39.6-cm (15.6-in), HD display specifications

	Metric	U.S.
Active diagonal size	39.6-cm	15.6-in
Resolution	1366x768 (HD)	
Active area	344.232x193.536	
PPI	100	
Surface treatment	Anti-glare or BrightView	
Contrast ratio	300:1 (typical) – Anti-glare 500:1 – BrightView	
Response time	8 ms	
Brightness	200 nits (typical)	
Viewing angle	SVA	
Backlight	LED	
Luminance uniformity @ 13 points	1.4 (typ), 1.6 (max)	
Lifetime (1/2 luminance)	12,000 hours	
Color coordinate (white)	(0.313, 0.329)	
Color tolerance (White)	+/- 0.02	
Color tolerance (R, G, B)	+/- 0.03	
Color gamut	60% (typical)	

Hard drive specifications


	750-GB*	640-GB*	500-GB*	320-GB*
Dimensions				
Height	7.0 mm	7.0 mm	7.0 mm	7.0 mm
Length	100.4 mm	100.4 mm	100.4 mm	100.4 mm
Width	69.9 mm	69.9 mm	69.9 mm	69.9 mm
Weight	115 g	98.8 g	95.0 g	98.8 g
Interface type	SATA	SATA	SATA	SATA
Transfer rate				
Synchronous (maximum)	up to 300 MB/sec	up to 300 MB/sec	up to 300 MB/sec	up to 300 MB/sec
Security	ATA security	ATA security	ATA security	ATA security
Seek times (typical read, including setting)				
Single track	1.5 ms	2.0 ms	1.1 ms	1.5 ms
Average (read/write)	11 ms	12 ms	13 ms	13 ms
Maximum	14 ms	22 ms	25 ms	24 ms
Logical blocks	1,465,149,168	1,250,263,728	976,773,168	625,142,448
Disk rotational speed	5400 rpm			
Operating temperature	0°C to 60°C (32°F to 140°F)			
*1 GB = 1 billion bytes when referring to hard drive storage capacity. Actual accessible capacity is less.				
NOTE: Certain restrictions and exclusions apply. Contact technical support for details.				

7 Backing up, restoring, and recovering

Your computer includes tools provided by HP and the operating system to help you safeguard your information and retrieve it if you ever need to. These tools will help you return your computer to a proper working state or even back to the original factory state, all with simple steps.

This chapter provides information about the following processes:

- Creating recovery media and backups
- Restoring and recovering your system

 **NOTE:** This guide describes an overview of backing up, restoring and recovering options. For more details about the tools provided, see Help and Support. From the Start screen, type **h**, and then select **Help and Support**.

Creating recovery media and backups

Recovery after a system failure is only as good as your most recent backup.

1. After you successfully set up the computer, create HP Recovery media. This step creates a backup of the HP Recovery partition on the computer. The backup can be used to reinstall the original operating system in cases where the hard drive is corrupted or has been replaced.

HP Recovery media you create will provide the following recovery options:

- System Recovery—Reinstalls the original operating system and the programs that were installed at the factory.
- Minimized Image Recovery—Reinstalls the operating system and all hardware-related drivers and software, but not other software applications.
- Factory Reset—Restores the computer to its original factory state by deleting all information from the hard drive and re-creating the partitions. Then it reinstalls the operating system and the software that was installed at the factory.

See [Creating HP Recovery media on page 102](#).

2. As you add hardware and software programs, create system restore points. A system restore point is a snapshot of certain hard drive contents saved by Windows System Restore at a specific time. A system restore point contains information that Windows uses, such as registry settings. Windows creates a system restore point for you automatically during a Windows update and during other system maintenance (such as a software update, security scanning, or system diagnostics). You can also manually create a system restore point at any time. For more information and steps for creating specific system restore points, see Help and Support. From the Start screen, type **h**, and then select **Help and Support**.
3. As you add photos, video, music, and other personal files, create a backup of your personal information. Windows File History can be set to regularly and automatically back up files from libraries, desktop, contacts, and favorites. If files are accidentally deleted from the hard drive and they can no longer be restored from the Recycle Bin, or if files become corrupted, you can restore the files that you backed up using File History. Restoring files is also useful if you ever choose to reset the computer by reinstalling Windows or choose to recover using HP Recovery Manager.



NOTE: File History is not enabled by default, so you must turn it on.

For more information and steps for enabling Windows File History, see Help and Support. From the Start screen, type **h**, and then select **Help and Support**.

Creating HP Recovery media

HP Recovery Manager is a software program that offers a way to create recovery media after you successfully set up the computer. HP Recovery media can be used to perform system recovery if the hard drive becomes corrupted. System recovery reinstalls the original operating system and the software programs installed at the factory, and then configures the settings for the programs. HP Recovery media can also be used to customize the system or aid in the replacement of a hard drive.

- Only one set of HP Recovery media can be created. Handle these recovery tools carefully, and keep them in a safe place.
- HP Recovery Manager examines the computer and determines the required storage capacity for the blank USB flash drive or the number of blank DVD discs that will be required.

- To create recovery discs, your computer must have an optical drive with DVD writer capability, and you must use only high-quality blank DVD-R, DVD+R, DVD-R DL, or DVD+R DL discs. Do not use rewritable discs such as CD±RW, DVD±RW, double-layer DVD±RW, or BD-RE (rewritable Blu-ray) discs; they are not compatible with HP Recovery Manager software. Or instead you can use a high-quality blank USB flash drive.
- If your computer does not include an integrated optical drive with DVD writer capability, but you would like to create DVD recovery media, you can use an external optical drive (purchased separately) to create recovery discs, or you can obtain recovery discs for your computer from the HP website. For U.S. support, go to <http://www.hp.com/go/contactHP>. For worldwide support, go to http://welcome.hp.com/country/us/en/wwcontact_us.html. If you use an external optical drive, it must be connected directly to a USB port on the computer; the drive cannot be connected to a USB port on an external device, such as a USB hub.
- Be sure that the computer is connected to AC power before you begin creating the recovery media.
- The creation process can take up to an hour or more. Do not interrupt the creation process.
- If necessary, you can exit the program before you have finished creating all of the recovery DVDs. HP Recovery Manager will finish burning the current DVD. The next time you start HP Recovery Manager, you will be prompted to continue, and the remaining discs will be burned.

To create HP Recovery media:

1. From the Start screen, type `recovery`, and then select **HP Recovery Manager**.
2. Select **Recovery Media Creation**, and then follow the on-screen instructions.

If you ever need to recover the system, see [Recovering using HP Recovery Manager on page 106](#).

Restore and recovery

There are several options for recovering your system. Choose the method that best matches your situation and level of expertise:

- If you need to restore your personal files and data, you can use Windows File History to restore your information from the backups you created. For more information and steps for using File History, see Help and Support. From the Start screen, type `h`, and then select **Help and Support**.
- If you need to correct a problem with a preinstalled application or driver, use the Drivers and Applications Reinstall option of HP Recovery Manager to reinstall the individual application or driver.

From the Start screen, type `recovery`, select **HP Recovery Manager**, select **Drivers and Applications Reinstall**, and then follow the on-screen instructions.

- If you want to restore the system to a previous state without losing any personal information, Windows System Restore is an option. System Restore allows you to restore without the requirements of Windows Refresh or a reinstallation. Windows creates system restore points automatically during a Windows update and other system maintenance events. Even if you did not manually create a restore point, you can choose to restore to a previous point, automatically created. For more information and steps for using Windows System Restore, see Help and Support. From the Start screen, type `h`, and then select **Help and Support**.
- If you want a quick and easy way to recover the system without losing your personal information, settings, or apps that came preinstalled on your computer or were purchased from the Windows Store, consider using Windows Refresh. This option does not require backing up data to another drive. See [Using Windows Refresh for quick and easy recovery on page 105](#).
- If you want to reset your computer to its original state, Windows provides an easy way to remove all personal data, apps, and settings, and reinstall Windows.

For more information, see [Remove everything and reinstall Windows on page 105](#).

- If you want to reset your computer using a minimized image, you can choose the HP Minimized Image Recovery option from the HP Recovery partition (select models only) or HP Recovery media. Minimized Image Recovery installs only drivers and hardware-enabling applications. Other applications included in the image continue to be available for installation through the Drivers and Applications Reinstall option in HP Recovery Manager.


For more information, see [Recovering using HP Recovery Manager on page 106](#).


- If you want to recover the computer's original factory partitioning and content, you can choose the System Recovery option from the HP Recovery media or HP Recovery partition (select models only). For more information, see [Recovering using HP Recovery Manager on page 106](#).
- If you have replaced the hard drive, you can use the Factory Reset option of HP Recovery media to restore the factory image to the replacement drive. For more information, see [Recovering using HP Recovery Manager on page 106](#).
- If you wish to remove the recovery partition to reclaim hard drive space, HP Recovery Manager offers the Remove Recovery Partition option.


For more information, see [Removing the HP Recovery partition on page 107](#).

Using Windows Refresh for quick and easy recovery

When your computer is not working properly and you need to regain system stability, the Windows Refresh option allows you to start fresh and keep what is important to you.

 **IMPORTANT:** Refresh removes any traditional applications that were not originally installed on the system at the factory.

 **NOTE:** During Refresh, a list of removed traditional applications will be saved so that you have a quick way to see what you might need to reinstall. See Help and Support for instructions on reinstalling traditional applications. From the Start screen, type **h**, and then select **Help and Support**.


 **NOTE:** You may be prompted for your permission or password when using Refresh. See Help and Support for more information. From the Start screen, type **h**, and then select **Help and Support**.

To start Refresh:

1. From the Start screen, point to the upper-right or lower-right corner of the screen to reveal the charms.
2. Click **Settings**.
3. Click **Change PC settings** in the bottom-right corner of the screen, and then select **General** from the PC settings screen.
4. Under **Refresh your PC without affecting your files**, select **Get started**, and then follow the on-screen instructions.

Remove everything and reinstall Windows

Sometimes you want to perform detailed reformatting of your computer, or you want to remove personal information before you give away or recycle your computer. The process described in this section provides a speedy, simple way to return the computer to its original state. This option removes all personal data, apps, and settings from your computer, and reinstalls Windows.

 **IMPORTANT:** This option does not provide backups of your information. Before using this option, back up any personal information you wish to retain.

You can initiate this option by using the **f11** key or from the Start screen.

To use the **f11** key:

1. Press **f11** while the computer boots.
– or –
Press and hold **f11** as you press the power button.
2. Select **Troubleshoot** from the boot options menu.
3. Select **Reset your PC**, and then follow the on-screen instructions.

To use the Start screen:

1. From the Start screen, point to the upper-right or lower-right corner of the screen to reveal the charms.
2. Click **Settings**.

3. Click **Change PC settings** in the bottom-right corner of the screen, and then select **General** from the PC settings screen.
4. Under **Remove everything and reinstall Windows**, select **Get started**, and follow the on-screen instructions.

Recovering using HP Recovery Manager

HP Recovery Manager software allows you to recover the computer to its original factory state. Using the HP Recovery media you created, you can choose from one of the following recovery options:

- **System Recovery**—Reinstalls the original operating system, and then configures the settings for the programs that were installed at the factory.
- **Minimized Image Recovery**—Reinstalls the operating system and all hardware-related drivers and software, but not other software applications.
- **Factory Reset**—Restores the computer to its original factory state by deleting all information from the hard drive and re-creating the partitions. Then it reinstalls the operating system and the software that was installed at the factory.

The HP Recovery partition (select models only) allows System Recovery and Minimized Image Recovery.

What you need to know

- HP Recovery Manager recovers only software that was installed at the factory. For software not provided with this computer, you must either download the software from the manufacturer's website or reinstall the software from the media provided by the manufacturer.
- Recovery through HP Recovery Manager should be used as a final attempt to correct computer issues.
- HP Recovery media must be used if the computer hard drive fails.
- To use the Factory Reset option, you must use HP Recovery media.
- If the HP Recovery media do not work, you can obtain recovery media for your system from the HP website. For U.S. support, go to <http://www.hp.com/go/contactHP>. For worldwide support, go to http://welcome.hp.com/country/us/en/wwcontact_us.html.



IMPORTANT: HP Recovery Manager does not automatically provide backups of your personal data. Before beginning recovery, back up any personal data you wish to retain.

Using the HP Recovery partition to recover (select models only)

The HP Recovery partition (select models only) allows you to perform a system recovery or a minimized image recovery without the need for recovery discs or a recovery USB flash drive. This type of recovery can only be used if the hard drive is still working.

To start HP Recovery Manager from the HP Recovery partition:

1. Press **f11** while the computer boots.
– or –
Press and hold **f11** as you press the power button.
2. Select **Troubleshoot** from the boot options menu.
3. Select **HP Recovery Manager**, and follow the on-screen instructions.

Using HP Recovery media to recover

You can use HP Recovery media to recover the original system. This method can be used if your system does not have an HP Recovery partition or if the hard drive is not working properly.

1. If possible, back up all personal files.
2. Insert the first HP Recovery disc you created into the optical drive on your computer or into an optional external optical drive, and then restart the computer.

– or –

Insert the HP Recovery USB flash drive you created into a USB port on your computer, and then restart the computer.



NOTE: If the computer does not automatically restart in HP Recovery Manager, change the computer boot order. See [Changing the computer boot order on page 107](#).

3. Follow the on-screen instructions.

Changing the computer boot order

If computer does not restart in HP Recovery Manager, you can change the computer boot order, which is the order of devices listed in BIOS where the computer looks for startup information. You can change the selection for an optical drive or a USB flash drive.

To change the boot order:

1. Insert the HP Recovery media you created.
2. Restart the computer.
3. Press and hold **esc** while the computer is restarting, and then press **f9** for boot options.
4. Select the optical drive or USB flash drive you want to boot from.
5. Follow the on-screen instructions.

Removing the HP Recovery partition

HP Recovery Manager software allows you to remove the HP Recovery partition to free up hard drive space.



IMPORTANT: Removing the HP Recovery partition means you can no longer use Windows Refresh, the Windows Remove everything and reinstall Windows option, or the HP Recovery Manager option for minimized image recovery. Create HP Recovery media before removing the Recovery partition to ensure you have recovery options; see [Creating HP Recovery media on page 102](#).

Follow these steps to remove the HP Recovery partition:

1. From the Start screen, type `recovery`, and then select **HP Recovery Manager**.
2. Select **Remove Recovery Partition**, and then follow the on-screen instructions.

8 Power cord set requirements

The wide-range input feature of the computer permits it to operate from any line voltage from 100 to 120 volts ac, or from 220 to 240 volts ac.

The 3-conductor power cord set included with the computer meets the requirements for use in the country or region where the equipment is purchased.

Power cord sets for use in other countries and regions must meet the requirements of the country or region where the computer is used.

Requirements for all countries

The following requirements are applicable to all countries and regions:

- The length of the power cord set must be at least **1.5 m** (5.0 ft) and no more than **2.0 m** (6.5 ft).
- All power cord sets must be approved by an acceptable accredited agency responsible for evaluation in the country or region where the power cord set will be used.
- The power cord sets must have a minimum current capacity of 10 A and a nominal voltage rating of 125 or 250 V ac, as required by the power system of each country or region.
- The appliance coupler must meet the mechanical configuration of an EN 60 320/IEC 320 Standard Sheet C13 connector for mating with the appliance inlet on the back of the computer.

Requirements for specific countries and regions

Country/region	Accredited agency	Applicable note number
Argentina	IRAM	1
Australia	SAA	1
Austria	OVE	1
Belgium	CEBEC	1
Brazil	ABNT	1
Canada	CSA	2
Chile	IMQ	1
Denmark	DEMKO	1
Finland	FIMKO	1
France	UTE	1
Germany	VDE	1
India	ISI	1
Israel	SII	1
Italy	IMQ	1
Japan	JIS	3
The Netherlands	KEMA	1
New Zealand	SANZ	1
Norway	NEMKO	1
The People's Republic of China	CCC	4
Saudi Arabia	SASO	7
Singapore	PSB	1
South Africa	SABS	1
South Korea	KTL	5
Sweden	SEMKO	1
Switzerland	SEV	1
Taiwan	BSMI	6
Thailand	TISI	1
The United Kingdom	ASTA	1

Country/region	Accredited agency	Applicable note number
The United States	UL	2
<ol style="list-style-type: none"> 1. The flexible cord must be Type H05VV-F, 3-conductor, 0.75mm² conductor size. Power cord set fittings (appliance coupler and wall plug) must bear the certification mark of the agency responsible for evaluation in the country or region where it will be used. 2. The flexible cord must be Type SVT/SJT or equivalent, No. 18 AWG, 3-conductor. The wall plug must be a two-pole grounding type with a NEMA 5-15P (15 A, 125 V ac) or NEMA 6-15P (15 A, 250 V ac) configuration. CSA or C-UL mark. UL file number must be on each element. 3. The appliance coupler, flexible cord, and wall plug must bear a “T” mark and registration number in accordance with the Japanese Dentori Law. The flexible cord must be Type VCTF, 3-conductor, 0.75mm² or 1.25mm² conductor size. The wall plug must be a two-pole grounding type with a Japanese Industrial Standard C8303 (7 A, 125 V ac) configuration. 4. The flexible cord must be Type RVV, 3-conductor, 0.75mm² conductor size. Power cord set fittings (appliance coupler and wall plug) must bear the CCC certification mark. 5. The flexible cord must be Type H05VV-F 3X0.75mm² conductor size. KTL logo and individual approval number must be on each element. Corset approval number and logo must be printed on a flag label. 6. The flexible cord must be Type HVCTF 3X1.25mm² conductor size. Power cord set fittings (appliance coupler, cable, and wall plug) must bear the BSMI certification mark. 7. For 127 V ac, the flexible cord must be Type SVT or SJT 3 x 18 AWG, with plug NEMA 5-15P (15 A, 125 V ac), with UL and CSA or C-UL marks. For 240 V ac, the flexible cord must be Type H05VV-F 3X0.75/1.00mm² conductor size, with plug BS 1363/A with BSI or ASTA marks. 		

9 Recycling

Battery

When a non-rechargeable or rechargeable battery has reached the end of its useful life, do not dispose of the battery in general household waste. Follow the local laws and regulations in your area for battery disposal.

HP encourages customers to recycle used electronic hardware, HP original print cartridges, and rechargeable batteries. For more information about recycling programs, see the HP Web site at <http://www.hp.com/recycle>.

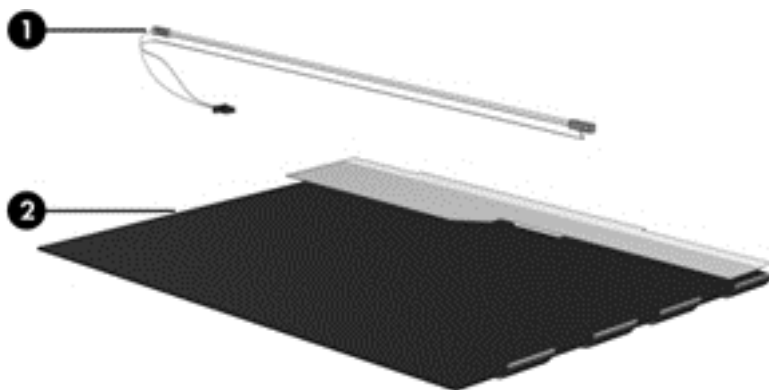
Display

⚠ WARNING! The backlight contains mercury. Caution must be exercised when removing and handling the backlight to avoid damaging this component and causing exposure to the mercury.

⚠ CAUTION: The procedures in this chapter can result in damage to display components. The only components intended for recycling purposes are the liquid crystal display (LCD) panel and the backlight. When you remove these components, handle them carefully.

📝 NOTE: Materials Disposal. This HP product contains mercury in the backlight in the display assembly that might require special handling at end-of-life. Disposal of mercury may be regulated because of environmental considerations. For disposal or recycling information, contact your local authorities, or see the Electronic Industries Alliance (EIA) Web site at <http://www.eiai.org>.

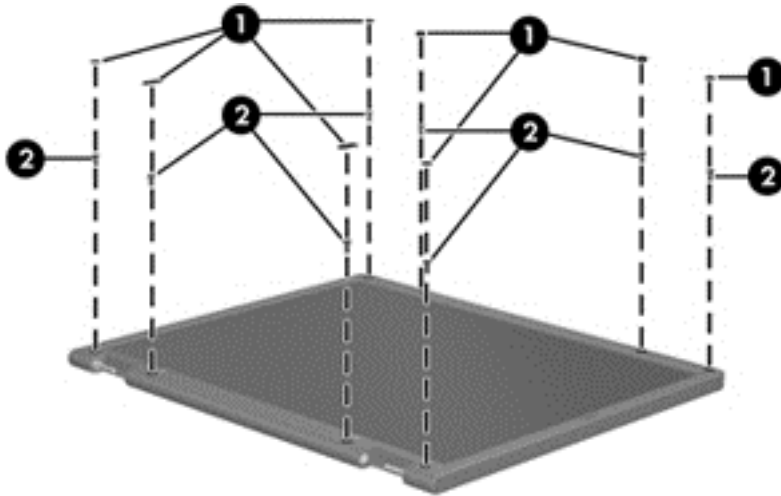
This section provides disassembly instructions for the display assembly. The display assembly must be disassembled to gain access to the backlight **(1)** and the liquid crystal display (LCD) panel **(2)**.



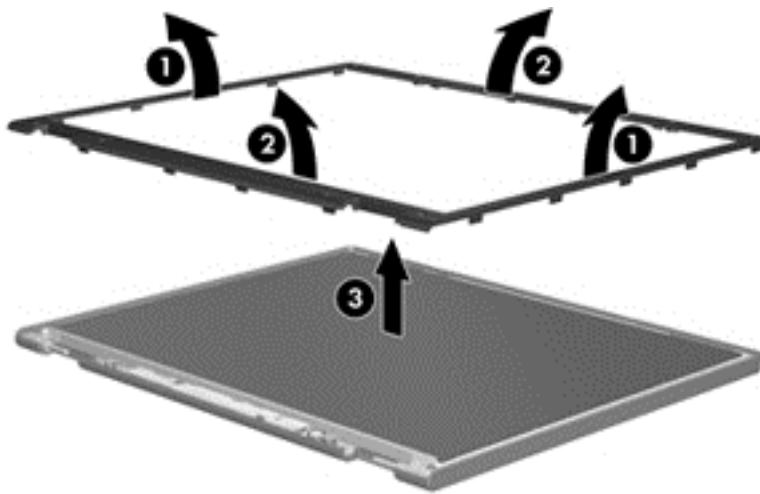
📝 NOTE: The procedures provided in this chapter are general disassembly instructions. Specific details, such as screw sizes, quantities, and locations, and component shapes and sizes, can vary from one computer model to another.

Perform the following steps:

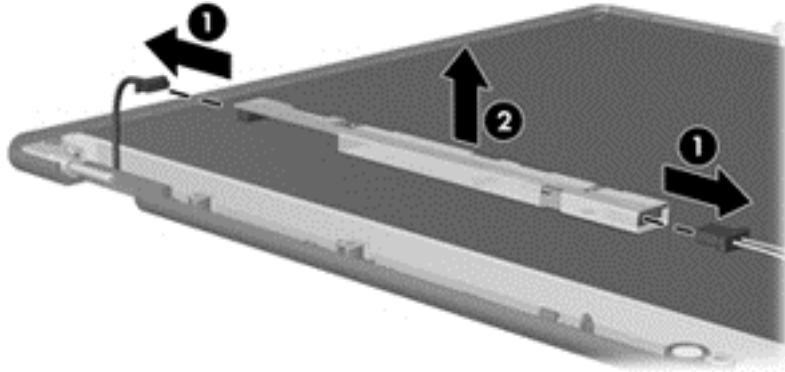
1. Remove all screw covers (1) and screws (2) that secure the display bezel to the display assembly.



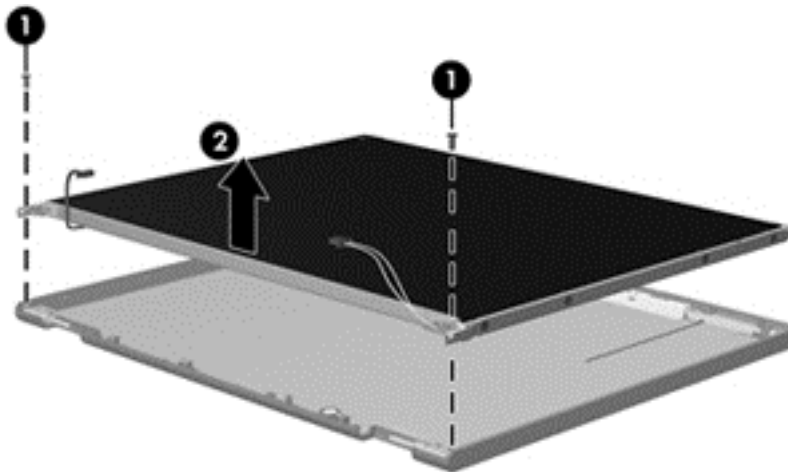
2. Lift up and out on the left and right inside edges (1) and the top and bottom inside edges (2) of the display bezel until the bezel disengages from the display assembly.
3. Remove the display bezel (3).



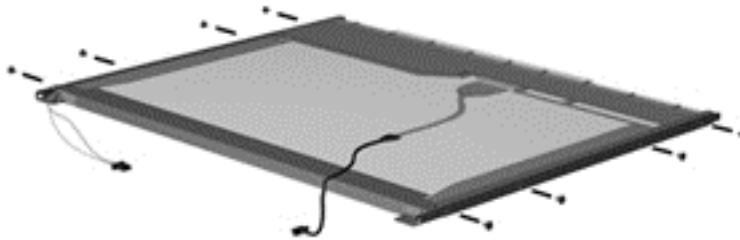
4. Disconnect all display panel cables (1) from the display inverter and remove the inverter (2).



5. Remove all screws (1) that secure the display panel assembly to the display enclosure.
6. Remove the display panel assembly (2) from the display enclosure.

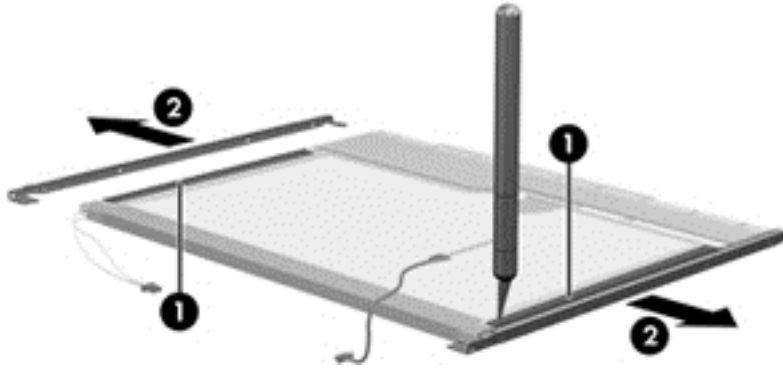


7. Turn the display panel assembly upside down.
8. Remove all screws that secure the display panel frame to the display panel.

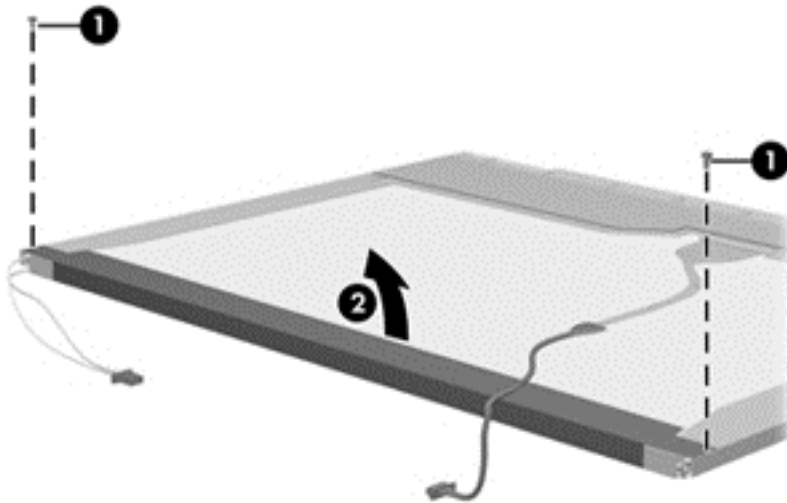


9. Use a sharp-edged tool to cut the tape (1) that secures the sides of the display panel to the display panel frame.

10. Remove the display panel frame (2) from the display panel.

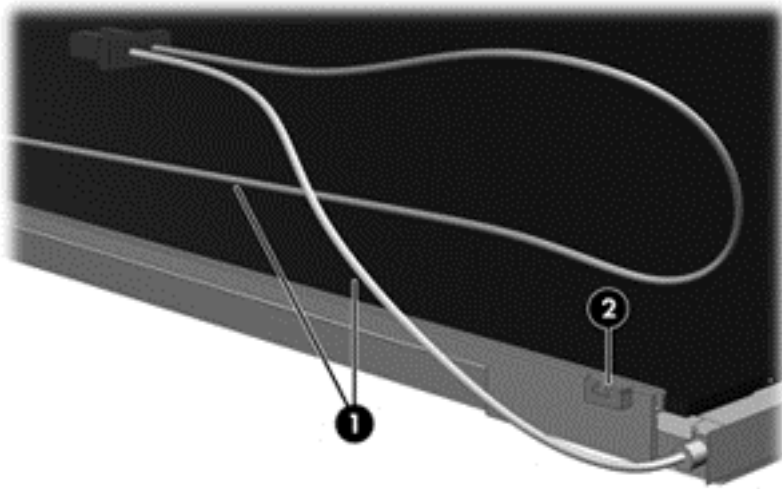


11. Remove the screws (1) that secure the backlight cover to the display panel.
12. Lift the top edge of the backlight cover (2) and swing it outward.

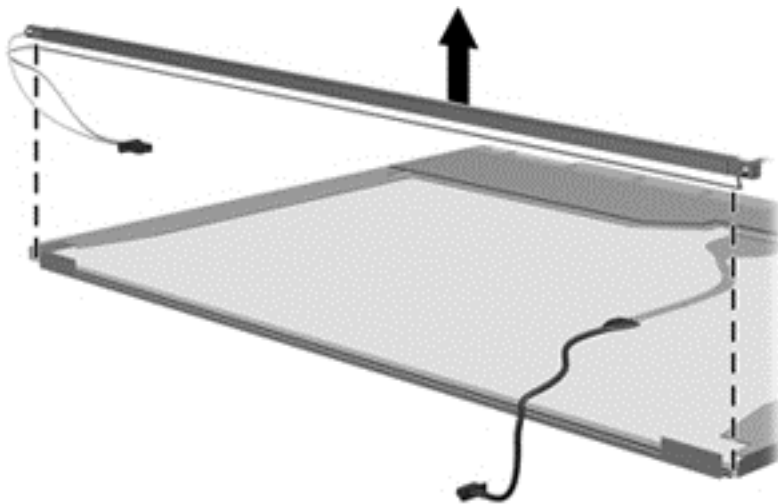


13. Remove the backlight cover.
14. Turn the display panel right-side up.

15. Remove the backlight cables (1) from the clip (2) in the display panel.

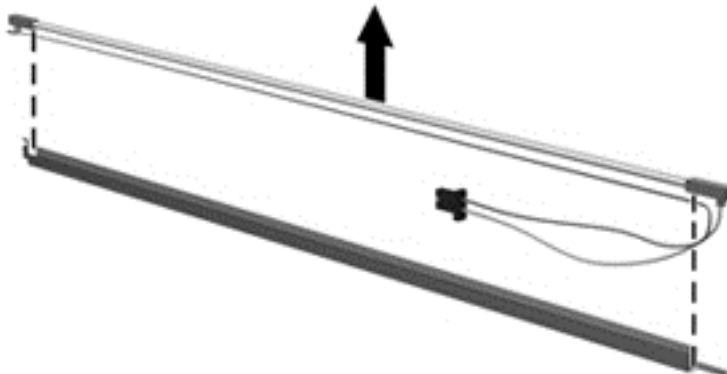


16. Turn the display panel upside down.
17. Remove the backlight frame from the display panel.

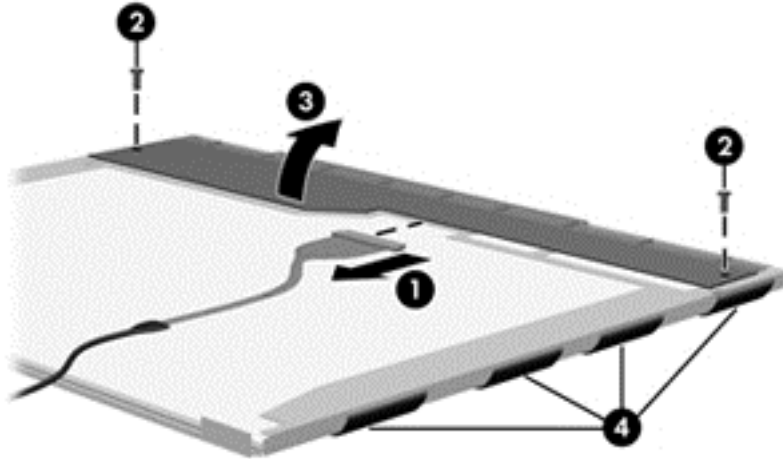


⚠ WARNING! The backlight contains mercury. Exercise caution when removing and handling the backlight to avoid damaging this component and causing exposure to the mercury.

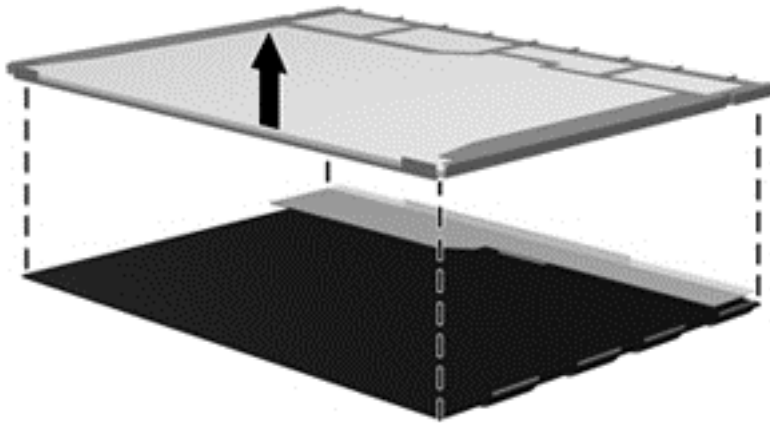
18. Remove the backlight from the backlight frame.



19. Disconnect the display cable (1) from the LCD panel.
20. Remove the screws (2) that secure the LCD panel to the display rear panel.
21. Release the LCD panel (3) from the display rear panel.
22. Release the tape (4) that secures the LCD panel to the display rear panel.



23. Remove the LCD panel.



24. Recycle the LCD panel and backlight.

Index

A

- AC adapter
 - spare part number 26
 - AC adapter light
 - identifying 5
 - action keys
 - identifying 12
 - antennas
 - illustrated 21
 - removing 79
 - spare part number 25
 - audio
 - product description 3
 - audio-in (microphone) jack
 - identifying 6
 - audio-out (headphone) jack
 - identifying 6
- ## B
- back up
 - personal files 102
 - base enclosure
 - illustrated 18
 - battery
 - illustrated 18
 - removing 36
 - spare part number 24
 - battery bay
 - identifying 13
 - battery release latch
 - identifying 13
 - BIOS
 - determining version 93
 - downloading an update 94
 - updating 93
 - boot order
 - changing HP Recovery Manager 107

- buttons
 - left TouchPad 9
 - optical drive eject 5
 - power 11
 - right TouchPad 9
 - TouchPad on/off 9

C

- cables
 - service considerations 29
- caps lock light
 - identifying 10
- chipset
 - product description 2
- components
 - bottom 13
 - display 8
 - front 7
 - left side 6
 - right side 5
 - top 9
- computer feet
 - locating 35
 - spare part number 26
- computer major components
 - illustrated 15
- computer reset 105
- computer specifications 97
- connectors
 - service considerations 29

D

- deleted files
 - restoring 104
- Digital Media Slot
 - identifying 6
- display assembly
 - illustrated 16
 - removing 37, 71

- display assembly subcomponents
 - illustrated 20
 - removing 37, 71
- display bezel
 - illustrated 20
 - removing 37, 73
 - spare part number 25
- display cable
 - illustrated 21
 - removing 78
 - spare part number 25
- display enclosure
 - illustrated 21
 - removing 79
 - spare part number 27
- display panel
 - illustrated 20, 37
 - product description 2
 - removing 43, 78
 - spare part number 27
- display specifications 98

E

- electrostatic discharge 30
- equipment guidelines 32
- esc key
 - identifying 12
- Ethernet
 - product description 3
- external media cards 3
- external monitor port
 - identifying 6

F

- fan/heat sink assembly
 - illustrated 16
 - removing 86
 - spare part number 25

feet
 locating 35
 spare part number 26
fn key
 identifying 12

G

graphics
 product description 2
grounding guidelines 30
guidelines
 equipment 32
 grounding 30
 packaging 31
 transporting 31
 workstation 31

H

hard drive
 illustrated 18, 22
 precautions 30
 product description 3
 removing 49
 spare part number 24
 specifications 99
hard drive bay
 identifying 14
hard drive bracket
 illustrated 22
 removing 50
 spare part number 25
hard drive cable
 illustrated 22
 removing 50
 spare part number 25
hard drive compartment cover
 illustrated 23
 removing 49
 spare part number 26
hard drive hardware
 illustrated 16, 22
 spare part number 25
hard drive light
 identifying 7
HDMI port
 identifying 6
hinge covers
 removing 77
hinges
 illustrated 20, 71

 removing 78
 spare part number 25
HP Recovery Manager 106
 correcting boot problems 107
 starting 106
HP Recovery media
 creating 102
 recovery 107
HP Recovery partition 106
 recovery 106
 removing 107

I

integrated webcam light,
 identifying 8
internal display switch, identifying
 8
internal microphone, identifying 8

J

jacks
 audio-in (microphone) 6
 audio-out (headphone) 6
 network 6
 RJ-45 (network) 6

K

keyboard
 illustrated 16
 product description 4
 removing 54
 spare part number 26

keys

 action 12
 esc 12
 fn 12

L

lights
 AC adapter 5
 caps lock 10
 hard drive 7
 optical drive 5
 power 7, 10
 TouchPad 9
 webcam 8
 wireless 10

M

mass storage devices
 illustrated 22
 precautions 30
memory module
 illustrated 18
 product description 2
 removing 47
 spare part number 24
memory module compartment
 identifying 14
memory module/wireless module
 compartment cover
 illustrated 23
 removing 45
 spare part number 26
microphone
 product description 3
minimized image
 creating 106
minimized image recovery 106
model name 1
Mylar screw covers
 spare part number 25

N

network jack
 identifying 6

O

operating system 4
optical drive
 identifying 5
 illustrated 19, 22
 precautions 30
 product description 3
 removing 52
 spare part number 25
optical drive cable
 illustrated 16, 22
 removing 84
 spare part number 25
optical drive cable bracket
 removing 84
 spare part number 25
optical drive eject button
 identifying 5
optical drive light
 identifying 5

- optical drive rear bracket
 - removing 53
 - spare part number 25
- original system recovery 106

P

- packaging guidelines 31
- PCID label 34
- plastic parts
 - service considerations 29
- Plastics Kit
 - spare part number 26
- plastics Kit
 - illustrated 16
- plastics kit
 - illustrated 23
- pointing device 4
- ports
 - external monitor 6
 - HDMI 6
 - product description 4
 - USB 5, 6
- power button
 - identifying 11
- power button board
 - illustrated 16
 - removing 61
 - spare part number 25
- power connector
 - identifying 5
- power connector cable
 - illustrated 17
 - removing 69
 - spare part number 25
- power cord
 - requirements for all countries 109
 - requirements for specific countries and regions 110
 - set requirements 109
 - spare part number 24
- power lights
 - identifying 7, 10
- power requirements 4
- processor
 - illustrated 17
 - product description 1
 - removing 90
 - spare part number 24, 27

- product description
 - audio 3
 - chipset 2
 - display panel 2
 - Ethernet 3
 - external media cards 3
 - graphics 2
 - hard drive 3
 - keyboard 4
 - memory module 2
 - microphone 3
 - operating system 4
 - optical drive 3
 - pointing device 4
 - ports 4
 - power requirements 4
 - processor 1
 - product name 1
 - security 4
 - serviceability 4
 - video 3
 - wireless 3
- product name 1

R

- recovery 104, 105
 - discs 103, 107
 - HP Recovery Manager 106
 - media 107
 - starting 106
 - supported discs 103
 - system 106
 - USB flash drive 107
 - using HP Recovery media 103
- recovery media
 - creating 102
 - creating using HP Recovery Manager 103
- recovery partition 106
 - removing 107
- recycle
 - computer 104, 105
- refresh 105
 - computer 104
- removal/replacement
 - preliminaries 29
 - procedures 33
- remove everything and reinstall Windows 105

- reset
 - computer 104, 105
 - steps 105
- restore
 - Windows File History 104
- RJ-45 (network) jack
 - identifying 6
- RTC battery
 - illustrated 17
 - removing 51
 - spare part number 24
- rubber
 - computer feet, spare part number 26

S

- Screw Kit
 - spare part number 26
- security
 - product description 4
- security cable slot
 - identifying 5
- service considerations
 - cables 29
 - connectors 29
 - plastic parts 29
- service tag 33
- serviceability
 - product description 4
- slots
 - Digital Media 6
 - security cable 5
- speakers
 - identifying 7
 - illustrated 16
 - removing 65
 - spare part number 26
- specifications
 - computer 97
 - display 98
 - hard drive 99
- supported discs
 - recovery 103
- system board
 - illustrated 16
 - removing 80
 - spare part number 25
- system recovery 106

system restore point

- creating 102
- restoring 104

T

thermal pad

- spare part number 24

tools required 29

top cover

- illustrated 16
- removing 57
- spare part number 27

TouchPad button board

- illustrated 16
- removing 63
- spare part number 25

TouchPad buttons

- identifying 9

TouchPad light

- identifying 9

TouchPad on/off button

- identifying 9

TouchPad zone

- identifying 9

transporting guidelines 31

U

USB board

- illustrated 16
- removing 67
- spare part number 25

USB ports

- identifying 5, 6

V

vents

- identifying 6, 13

video

- product description 3

W

webcam light, identifying 8

webcam, identifying 8

webcam/microphone cable

- illustrated 21
- removing 78
- spare part number 25

webcam/microphone module

- illustrated 20
- removing 40, 74
- spare part number 27

Windows

backup 102

File History 102, 104

Refresh 104, 105

reinstall 104, 105

remove everything and reinstall

option 105

reset 105

restoring files 104

system restore point 102, 104

wireless

product description 3

wireless antennas

illustrated 21

removing 79

spare part number 25

wireless light

identifying 10

wireless module compartment

identifying 14

WLAN antenna, identifying 8

WLAN module

illustrated 18

removing 45

spare part number 24

workstation guidelines 31